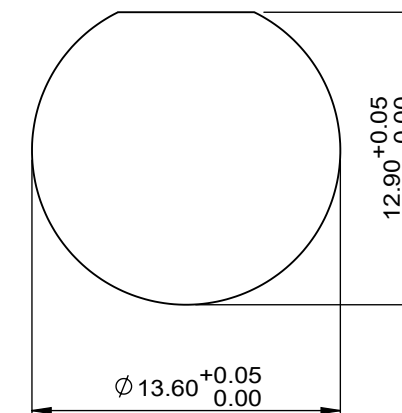
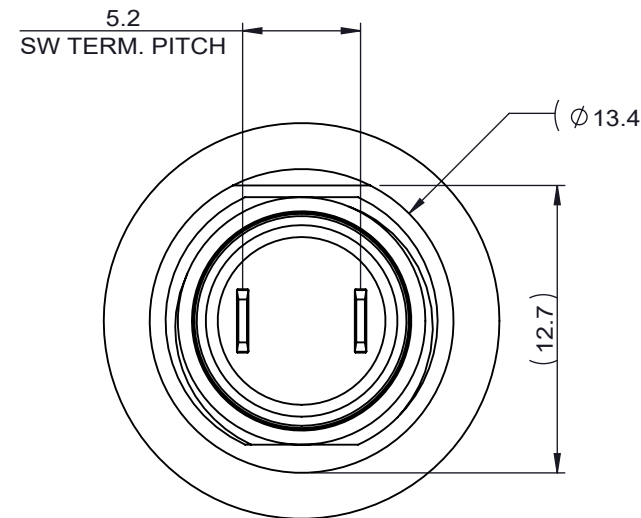
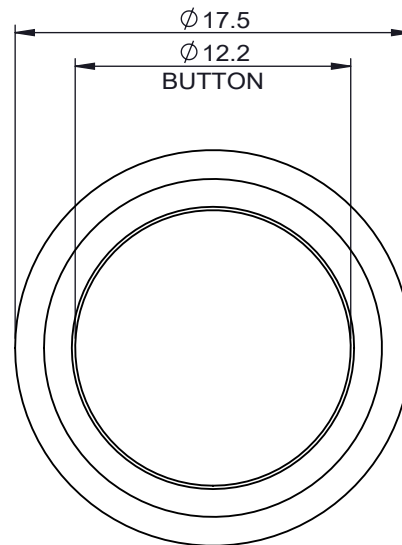


49- 11 X

| BUTTON CODE | BUTTON COLOR DESCRIPTION |
|-------------|--------------------------|
| 1 | BLACK |
| 2 | RED |
| 3 | GREEN |
| 4 | WHITE |
| 5 | YELLOW |
| 6 | BLUE |
| 7 | ORANGE |



RECOMMENED PANLE CUT-OUT

MECHANICAL CHARACTERISTICS:

SWITCH CIRCUITRY: SPST-NO-DB
SWITCH ACTION: MOMENTARY
BUTTON TRAVEL: 2.3mm NOMINAL
OPERATING FORCE: 306g [3N] NOMINAL
PANEL THICKNESS: 1.5 - 3.0mm
CONTACTS: GOLD PLATED
LIFE(MECHANICAL): 1000K CYCLES
NUT TORQUE FORCE: MAX 6 kgf-cm

ENVIRONMENTAL SPECIFICATIONS:

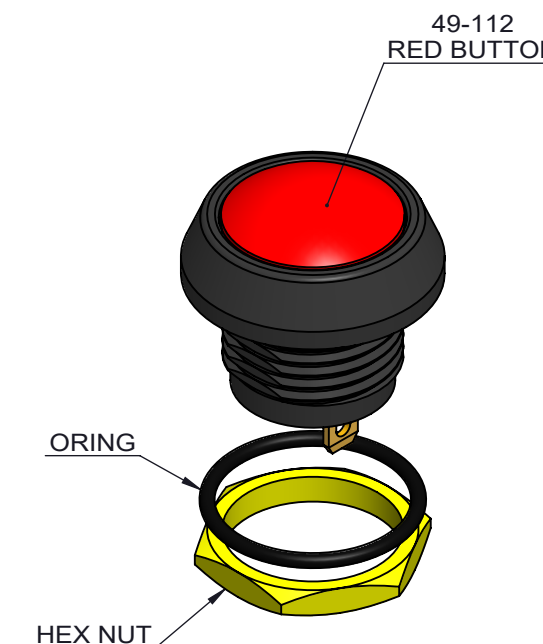
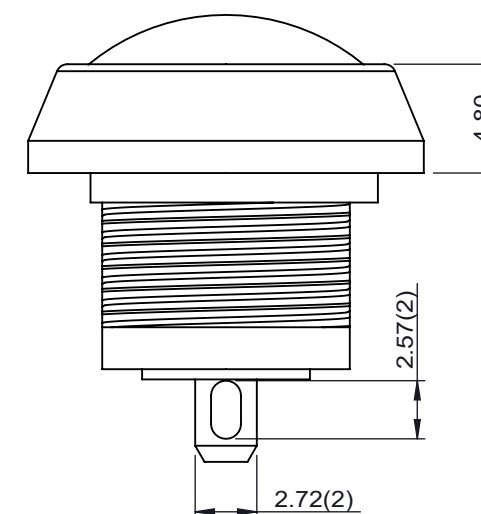
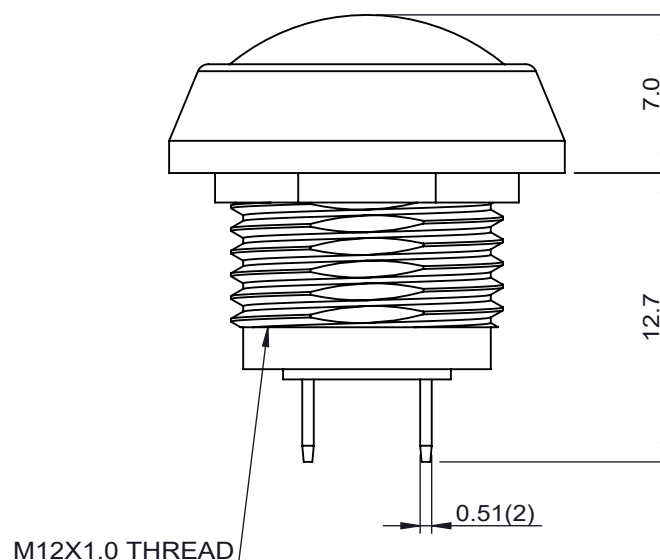
ACTUATOR INGRESS PROTECTION: IP67
OPERATING TEMPERATURE: -20°C to +85°C

ELECTRICAL SPECIFICATIONS:

SWITCHING POWER(max): 16 VA AC
CURRENT RATINGS: 400mA@32VAC, 500K CYCLES NOMINAL
125mA@125VAC, 500K CYCLES NOMINAL
100mA@50VDC, 500K CYCLES NOMINAL
DIELECTRIC STRENGTH: 1,000VAC
INSULATION RESISTANCE: 1G OHM
CONTACT RESISTANCE: 50m OHMS MAX INITIA

NOTE:

1. SUPPLY HEX NET AND SEALING O-RING BULK IN PACKED



| | | | | | | | | | | |
|-------------------------------------------------------------------------------------------------------------------------------------------------------------------------------------------------------------------------------------------------------------------------------------------------------------------------------------------------------------------------------------------------------------------------------------------------|-----------------------|-----------------------------------------------------------------------------------|--------------------------------------------------------------|-------------------|----------------------------------------------------------------------------|------------|------------|----------|----------------|--------------|
| DWG TYPE SALES DRAWING | DRAWN <i>K.Y.</i> | TOLERANCES: UNLESS OTHERWISE NOTED X.X ± 0.5 X.XX ± 0.25 ANGULAR ± 5° | DWG TITLE 49- SERIES ,MECHANICAL MOMENTARY,NORMAL OPEN | | | | | | | |
| STATUS RELEASE | REVIEW <i>v.w.</i> | THIRD ANGLE PROJECTION | DWG NO. 49-11X | | | | | | | |
| <small>This document is the intellectual property of ITW Electronic Business Asia Co., Limited and may contain confidential, proprietary, privileged information protected by law. Neither this document nor any information it contains can be reproduced, transformed to any other format, or distributed, without written permission by ITW Electronic Business Asia Co., Limited. 本文作為安達維百電股份有限公司之智慧財產，非經許可不得翻取、複製、轉變成其他形式使用或散佈</small> | | | DATE 2021/6/7 | REF: 49-11X(L) | <input checked="" type="checkbox"/> 管制文件 <input type="checkbox"/> 非管制文件 | Unit mm | SCALE - | REV 1 | RoHS Compliant | SHEET 1 OF 2 |

REVISION RECORD

| REV. | DESCRIPTION | DATE | DRAWN BY | DOCUMENT NO. |
|------|-------------------------------------------------------------------|----------|----------|---------------|
| 1 | 1. REORGANIZE 49-11X DRAWING INTO EBA SYSTEM.(FROM 49-11X_Rev.L) | 2021/6/7 | K.Y. | DCN-202100045 |

| | | | | | | | | | |
|------------------------------------------------------------------------------------------------------------------------------------------------------------------------------------------------------------------------------------------------------------------------------------------------------------------------------------------------------------------------------------------------------------------------------------------------------------------|-----------------------|-----------------------------------------------------------------------------------|---------------------------------------------------------------------------------------------------------------|----------------------------------------------------------------------------------------|---------------------------------------------------------------------------------------|---------|---------|-------|----------------|
| DWG TYPE SALES DRAWING | DRAWN <i>K.Y.</i> | TOLERANCES: UNLESS OTHERWISE NOTED X.X ± 0.5 X.XX ± 0.25 ANGULAR ± 5° | DWG TITLE 49- SERIES ,MECHANICAL MOMENTARY,NORMAL OPEN | |  | | | | |
| STATUS RELEASE | REVIEW <i>V.W.</i> | | DWG NO. 49-11X | | | | | | |
| <small>This document is the intellectual property of ITW Electronic Business Asia Co., Limited and may contain confidential, proprietary, privileged information protected by law. Neither this document nor any information it contains can be reproduced, transformed to any other format, or distributed, without written permission by ITW Electronic Business Asia Co., Limited. 本文件為安天德百電股份有限公司之智權財產，非經許可不得翻印、複製、轉變成其他形式使用或散佈</small> | | APPROVED <i>V.W.</i> | THIRD ANGLE PROJECTION  | REF: 49-11X(L) <input checked="" type="checkbox"/> 管制文件 <input type="checkbox"/> 非管制文件 | | Unit mm | SCALE - | REV 1 | RoHS Compliant |