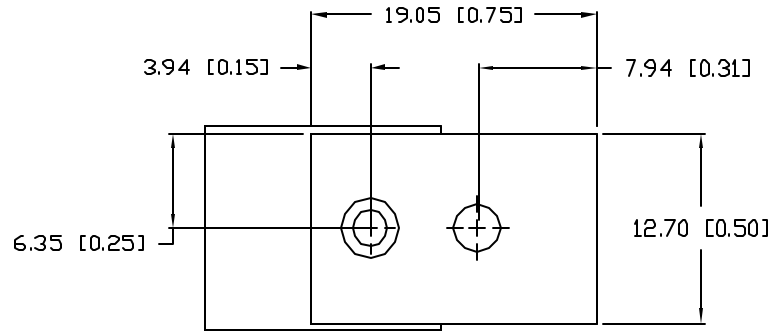


UNCONTROLLED DOCUMENT

PART NUMBER
ILS-CIC941P

REV.
A

REV.	E.C.N. NUMBER AND REVISION COMMENTS	DATE
A	E.C.N. #11148.	03.09.07



ELECTRO-OPTICAL CHARACTERISTICS $T_A=25\text{ }^\circ\text{C}$ $I_f=20\text{mA}$

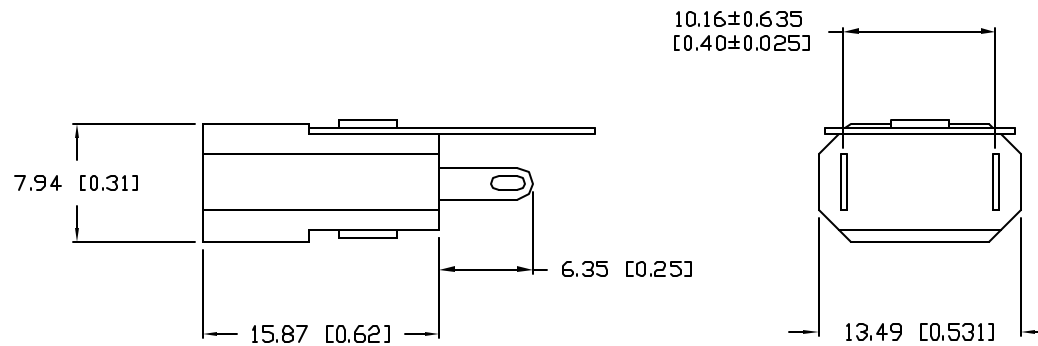
PARAMETER	GREEN	RED	YELLOW	UNITS
PEAK COLOR WAVELENGTH	565	635	585	nm
FORWARD VOLTS (TYP)	2.1	2.0	2.1	V_f
LIGHT OUTPUT (TYP)	5	7	5	mcd
REVERSE VOLTS @ 100 μ A	5.0	5.0	5.0	V_r MIN
VIEWING ANGLE (TYP)	80	80	80	2x theta
LED POSITION	N/A	N/A	1,2	

EPOXY LENS FINISH: POS. 1-2 TINTED, DIFFUSED

HOLDER COLOR: BLACK

LIMITS OF SAFE OPERATION AT 25 $^\circ\text{C}$

PARAMETER	MAX	UNITS
PEAK FORWARD CURRENT	35	mA
AVG FORWARD CURRENT	20	mA
POWER DISSIPATION	110	mW
DERATE FROM 25 $^\circ\text{C}$	-1.2	mW/ $^\circ\text{C}$
OPERATING, STORAGE TEMP.	-55 to +100	$^\circ\text{C}$
LEAD SOLDERING TEMP.	+260	$^\circ\text{C}$
1.6mm FROM BODY		5 SEC. MAX



*UNLESS OTHERWISE SPECIFIED TOLERANCES PER DECIMAL PRECISION ARE: X=±1 (±0.038), XX=±0.5 (±0.020), XXX=±0.25 (±0.010), XXXX=±0.127 (±0.005). LEAD SIZE=±0.05 (±0.002), LEAD LENGTH=±0.75 (±0.030). MIN= +DECIMAL PRECISION -0.03 MAX= +0.00 -DECIMAL PRECISION



UNCONTROLLED DOCUMENT

REV.
A

PART NUMBER
ILS-CIC941P

CONFIDENTIAL INFORMATION
THE INFORMATION CONTAINED IN THIS DOCUMENT IS THE PROPERTY OF LUMEX INC. EXCEPT AS SPECIFICALLY AUTHORIZED IN WRITING BY LUMEX INC, THE HOLDER OF THIS DOCUMENT SHALL KEEP ALL INFORMATION CONTAINED HEREIN CONFIDENTIAL AND SHALL PROTECT SAME IN WHOLE OR IN PART FROM DISCLOSURE AND DISSEMINATION TO ALL THIRD PARTIES.



290 E. HELEN ROAD
PALATINE, IL 60067-6976
PHONE: +1.847.359.2790
US WEB: www.lumex.com
TW WEB: www.lumex.com.tw

T3-1/4 WEDGE BASE LAMP SOCKET.

RELIABILITY NOTE
OUR MANY YEARS OF EXPERIENCE DATA ACCUMULATION INDICATE THAT SOLDER HEAT IS A MAJOR CAUSE OF EARLY AND FUTURE FAILURE. PLEASE PAY ATTENTION TO YOUR SOLDERING PROCESS.

DRAWN BY: JC	CHECKED BY:	APPROVED BY:	DATE: 3.23.92
			PAGE: 1 OF 1
			SCALE: N/A