

CHARACTERISTICS	
FLUID TYPE	TN
BACKGROUND COLOR	GREY
VIEWING DIRECTION	6:00
DISPLAY MODE	TRANSFLECTIVE
OPERATING VOLTAGE	5.0V A.C.
OPERATING TEMP.	-20°C TO 70°C
STORAGE TEMP.	-30°C TO 80°C
DRIVING METHOD	1/2 DUTY, 1/2 BIAS
CONNECTION TYPE	26 PINS

PIN NO.	1	2	3	4	5	6	7	8	9	10	11	12	13
COM1	COM1	/	1A	1B	1C	S5	S6	BAR1	BAR3	BAR5	BAR7	BAR9	S4
CDM2	/	COM2	1F	1G	1E	1D	S1	BAR2	BAR4	BAR6	BAR8	BAR10	2D
PIN NO.	14	15	16	17	18	19	20	21	22	23	24	25	26
COM1	BAR12	BAR14	BAR16	BAR18	BAR20	S3	3C	3B	3A	S2	2A	2B	2C
CDM2	BAR11	BAR13	BAR15	BAR17	BAR19	3D	3E	3G	3F	DP	2F	2G	2E

\*UNLESS OTHERWISE SPECIFIED TOLERANCES PER DECIMAL PRECISION ARE: X=±1 (±0.039), X.X=±0.5 (±0.020), X.XX=±0.25 (±0.010), X.XXX=±0.127 (±0.005). LEAD SIZE=±0.05 (±0.002), LEAD LENGTH=±0.75 (±0.030). MIN= +DECIMAL PRECISION MAX.= +0.00 -0.00 -DECIMAL PRECISION

REV.	PART NUMBER LCD-H301M75TF
3 DIGIT CUSTOM LCD PANEL, TN, TRANSFLECTIVE, 1/2 DUTY, 1/2 BIAS, 5V, 26 PINS.	

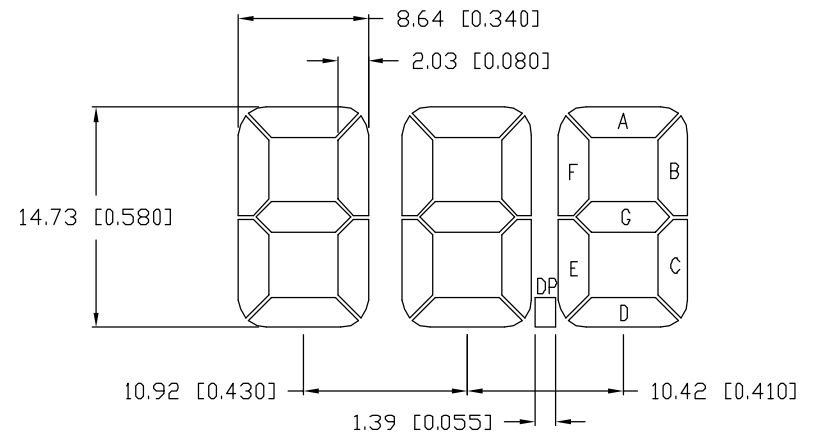
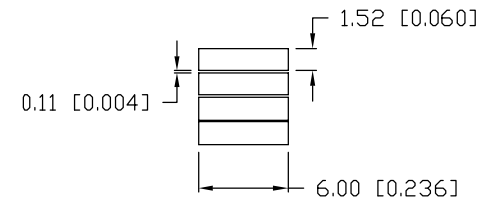
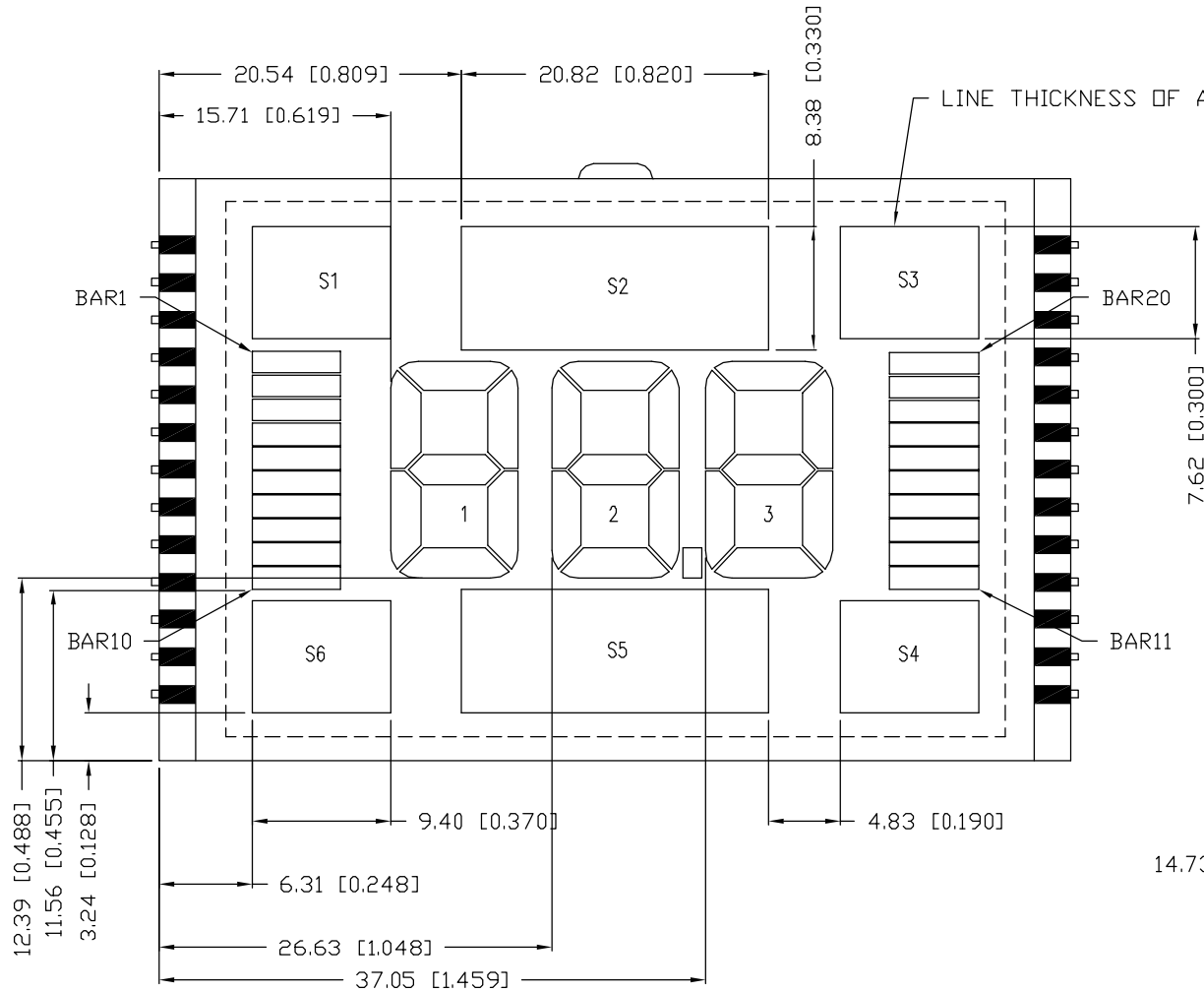
**CONFIDENTIAL INFORMATION**  
THE INFORMATION CONTAINED IN THIS DOCUMENT IS THE PROPERTY OF LUMEX INC. EXCEPT AS SPECIFICALLY AUTHORIZED IN WRITING BY LUMEX INC., THE HOLDER OF THIS DOCUMENT SHALL KEEP ALL INFORMATION CONTAINED HEREIN CONFIDENTIAL AND SHALL PROTECT SAME IN WHOLE OR IN PART FROM DISCLOSURE AND DISSEMINATION TO ALL THIRD PARTIES.

**RELIABILITY NOTE**  
OUR MANY YEARS OF EXPERIENCE DATA ACCUMULATION INDICATE THAT SOLDER HEAT IS A MAJOR CAUSE OF EARLY AND FUTURE FAILURE. PLEASE PAY ATTENTION TO YOUR SOLDERING PROCESS.



290 E. HELEN ROAD  
PALATINE, IL 60067-6976  
PHONE: +1.847.359.2790  
US WEB: www.lumex.com  
TW WEB: www.lumex.com.tw

DRAWN BY: CT	CHECKED BY:	APPROVED BY:	DATE: 2.16.04
			PAGE: 1 OF 2
			SCALE: N/A



\*UNLESS OTHERWISE SPECIFIED TOLERANCES PER DECIMAL PRECISION ARE: X=±1 (±0.039), X.X=±0.5 (±0.020), X.XX=±0.25 (±0.010), X.XXX=±0.127 (±0.005). LEAD SIZE=±0.05 (±0.002), LEAD LENGTH=±0.75 (±0.030). MIN= +DECIMAL PRECISION MAX.= +0.00 -DECIMAL PRECISION

REV.	PART NUMBER LCD-H301M75TF
3 DIGIT CUSTOM LCD PANEL, TN, TRANSFLECTIVE, 1/2 DUTY, 1/2 BIAS, 5V, 26 PINS.	

**CONFIDENTIAL INFORMATION**  
THE INFORMATION CONTAINED IN THIS DOCUMENT IS THE PROPERTY OF LUMEX INC. EXCEPT AS SPECIFICALLY AUTHORIZED IN WRITING BY LUMEX INC., THE HOLDER OF THIS DOCUMENT SHALL KEEP ALL INFORMATION CONTAINED HEREIN CONFIDENTIAL AND SHALL PROTECT SAME IN WHOLE OR IN PART FROM DISCLOSURE AND DISSEMINATION TO ALL THIRD PARTIES.

**RELIABILITY NOTE**  
OUR MANY YEARS OF EXPERIENCE DATA ACCUMULATION INDICATE THAT SOLDER HEAT IS A MAJOR CAUSE OF EARLY AND FUTURE FAILURE. PLEASE PAY ATTENTION TO YOUR SOLDERING PROCESS.

		290 E. HELEN ROAD PALATINE, IL 60067-6976 PHONE: +1.847.359.2790 US WEB: www.lumex.com TW WEB: www.lumex.com.tw	
DRAWN BY: CT	CHECKED BY:	APPROVED BY:	DATE: 2.6.04
			PAGE: 2 OF 2
			SCALE: N/A