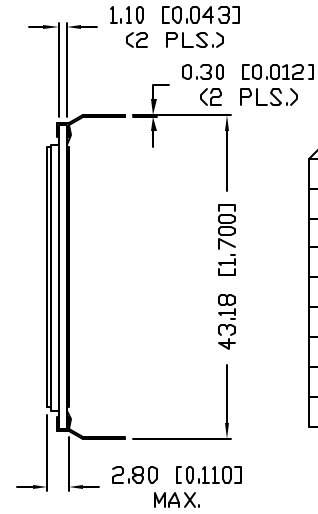
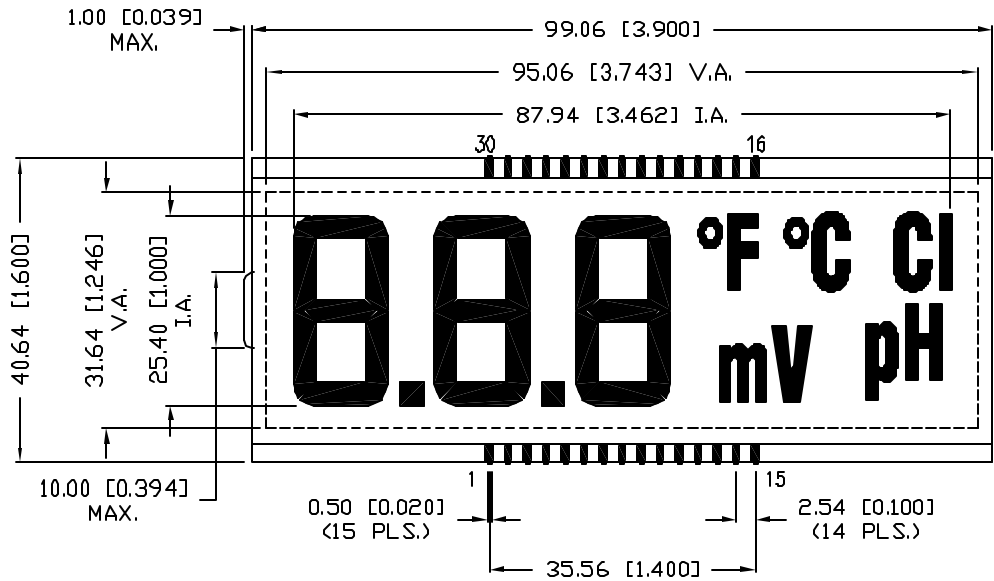
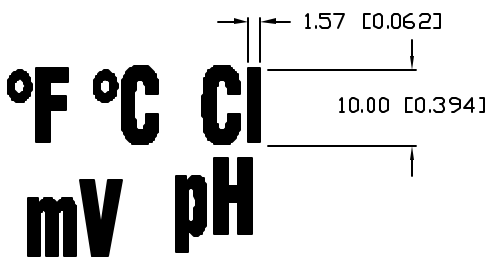
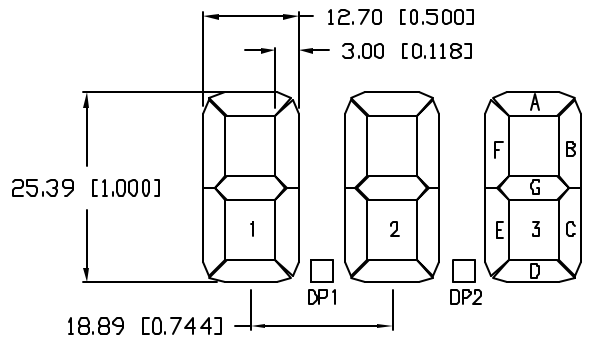


UNCONTROLLED DOCUMENT

PART NUMBER		REV.
LCD-H301N10TR		A
REV.	E.C.N. NUMBER AND REVISION COMMENTS	DATE
A	E.C.N. #11148.	02.06.07



CHARACTERISTICS	
FLUID TYPE	TN
BACKGROUND COLOR	GRAY, POSITIVE IMAGE
VIEWING DIRECTION	6:00
DISPLAY MODE	REFLECTIVE, ANTI UV POLARIZER
OPERATING VOLTAGE	5.0V A.C.
OPERATING TEMP.	-30°C TO 85°C
STORAGE TEMP.	-40°C TO 85°C
DRIVING METHOD	STATIC
CONNECTION TYPE	30 PINS



PIN NO.	1	2	3	4	5	6	7	8	9	10
SEGMENT	COM	1E	1D	1C	DP1	2E	2D	2C	DP2	3E
PIN NO.	11	12	13	14	15	16	17	18	19	20
SEGMENT	3D	3C	mV	pH	I	C	°F	°C	3B	3A
PIN NO.	21	22	23	24	25	26	27	28	29	30
SEGMENT	3F	3G	2B	2A	2F	2G	1B	1A	1F	1G

*UNLESS OTHERWISE SPECIFIED TOLERANCES PER DECIMAL PRECISION ARE: X=±1 (±0.039), XX=±0.5 (±0.020), XXX=±0.25 (±0.010), XXXX=±0.127 (±0.005). LEAD SIZE=±0.05 (±0.002), LEAD LENGTH=±0.75 (±0.030). MN= +DECIMAL PRECISION -0.00 MAX.= +0.00 -DECIMAL PRECISION

UNCONTROLLED DOCUMENT

REV.	PART NUMBER
A	LCD-H301N10TR

CONFIDENTIAL INFORMATION
 THE INFORMATION CONTAINED IN THIS DOCUMENT IS THE PROPERTY OF LUMEX INC. EXCEPT AS SPECIFICALLY AUTHORIZED IN WRITING BY LUMEX INC., THE HOLDER OF THIS DOCUMENT SHALL KEEP ALL INFORMATION CONTAINED HEREIN CONFIDENTIAL AND SHALL PROTECT SAME IN WHOLE OR IN PART FROM DISCLOSURE AND DISSEMINATION TO ALL THIRD PARTIES.

RELIABILITY NOTE
 OUR MANY YEARS OF EXPERIENCE, DATA ACCUMULATION INDICATE THAT SOLDER HEAT IS A MAJOR CAUSE OF EARLY AND FUTURE FAILURE. PLEASE PAY ATTENTION TO YOUR SOLDERING PROCESS.

290 E. HELEN ROAD
 PALATINE, IL 60067-6976
 PHONE: +1.847.359.2790
 US WEB: www.lumex.com
 TW WEB: www.lumex.com.tw

3 DIGIT CUSTOM LCD PANEL, TN, REFLECTIVE, STATIC DRIVE,
 6:00 VIEW, POSITIVE IMAGE, 30 PINS.

DRAWN BY:	CHECKED BY:	APPROVED BY:	DATE:
jc			2.25.04
		PAGE:	1 OF 1
		SCALE:	N/A