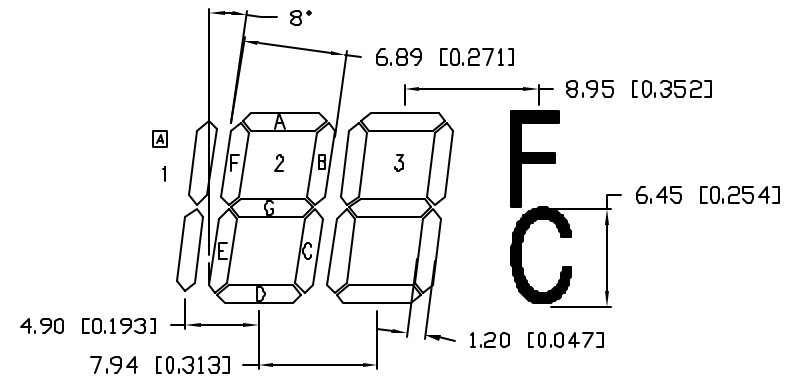
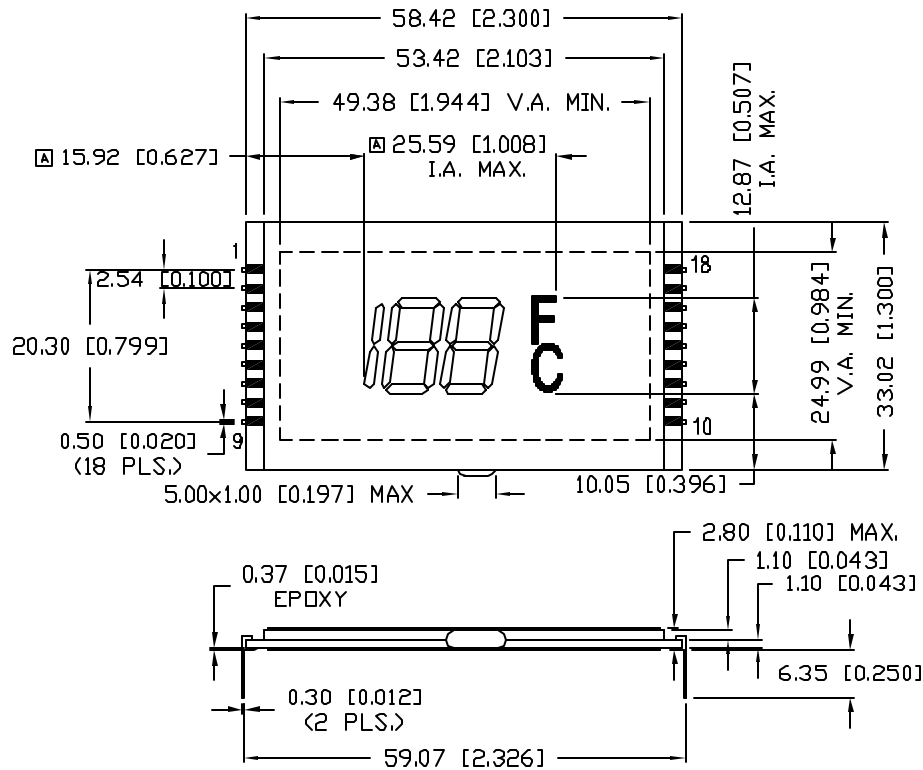


UNCONTROLLED DOCUMENT

PART NUMBER		REV.
LCD-S2X1M77TR-1		B
REV.	E.C.N. NUMBER AND REVISION COMMENTS	DATE
A	E.C.N. #11356.	10.2.06
B	E.C.N. #11148.	02.07.07



CHARACTERISTICS	
FLUID TYPE	TN
BACKGROUND COLOR	GREY
VIEWING DIRECTION	12:00
DISPLAY MODE	REFLECTIVE
OPERATING VOLTAGE	3.0V A.C.
OPERATING TEMP.	0°C TO 50°C
STORAGE TEMP.	-20°C TO 70°C
DRIVING METHOD	STATIC DRIVE
CONNECTION TYPE	1B

PIN	1	2	3	4	5	6	7	8	9	10	11	12	13	14	15	16	17	18
COM	1BC	F	2A	2F	2G	2E	2D	2C	2B	3F	3E	3D	3C	3G	3B	3A	C	COM

\*UNLESS OTHERWISE SPECIFIED TOLERANCES PER DECIMAL PRECISION ARE: X=±1 (±0.039), XX=±0.5 (±0.020), XXX=±0.25 (±0.010), XXXX=±0.127 (±0.005). LEAD SIZE=±0.05 (±0.002), LEAD LENGTH=±0.75 (±0.030). MIN= +DECIMAL PRECISION -0.00 MAX.= +0.00 -DECIMAL PRECISION

REV.	PART NUMBER
B	LCD-S2X1M77TR-1
2.5 DIGIT CUSTOM LCD PANEL, TN, REFLECTIVE, 12:00 VIEW.	

**CONFIDENTIAL INFORMATION**  
 THE INFORMATION CONTAINED IN THIS DOCUMENT IS THE PROPERTY OF LUMEX INC. EXCEPT AS SPECIFICALLY AUTHORIZED IN WRITING BY LUMEX INC., THE HOLDER OF THIS DOCUMENT SHALL KEEP ALL INFORMATION CONTAINED HEREIN CONFIDENTIAL AND SHALL PROTECT SAME IN WHOLE OR IN PART FROM DISCLOSURE AND DISSEMINATION TO ALL THIRD PARTIES.

**RELIABILITY NOTE**  
 OUR MANY YEARS OF EXPERIENCE, DATA ACCUMULATION INDICATE THAT SOLDER HEAT IS A MAJOR CAUSE OF EARLY AND FUTURE FAILURE. PLEASE PAY ATTENTION TO YOUR SOLDERING PROCESS.



290 E. HELEN ROAD  
 PALATINE, IL 60067-6976  
 PHONE: +1.847.359.2790  
 US WEB: www.lumex.com  
 TW WEB: www.lumex.com.tw

DATE: 8.21.06  
 PAGE: 1 OF 1  
 SCALE: N/A

DRAWN BY:	CHECKED BY:	APPROVED BY:
jc		

