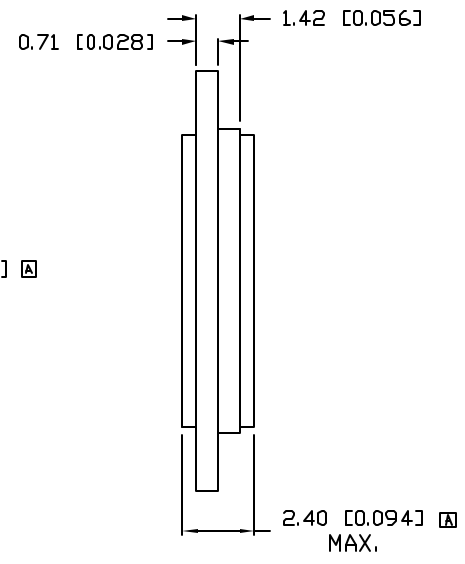
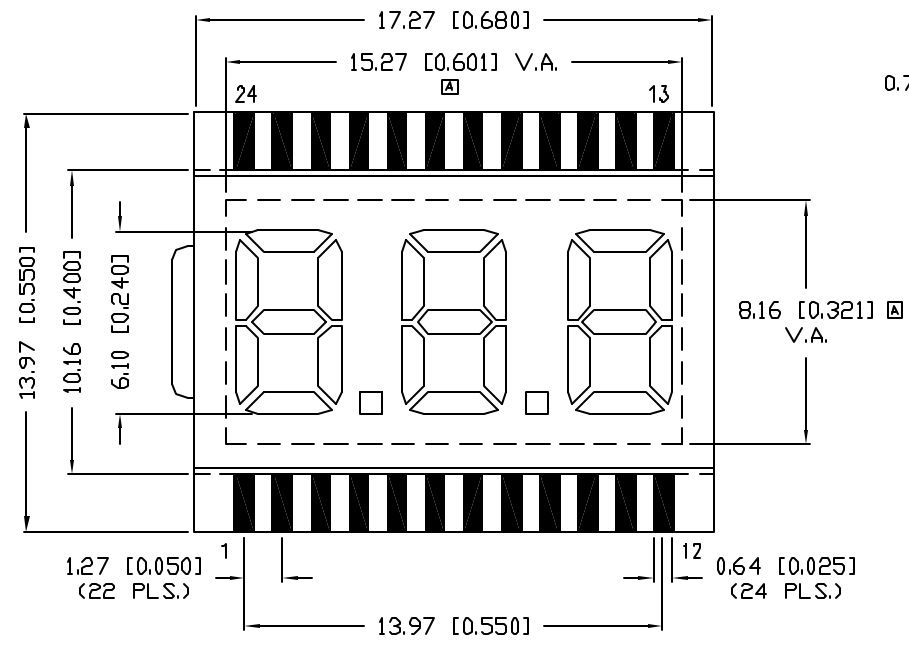


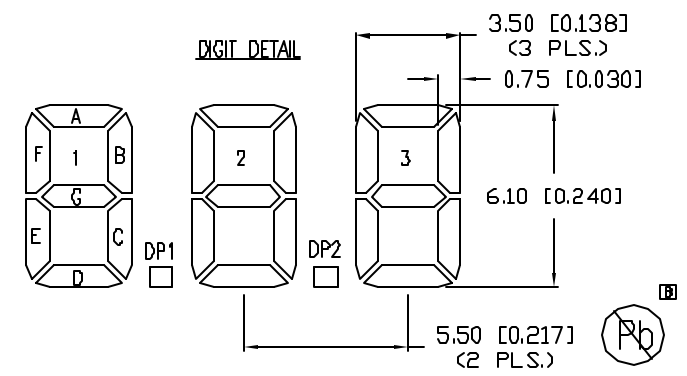
UNCONTROLLED DOCUMENT

PART NUMBER		REV.
LCD-S301C24TR-D		B
REV.	E.C.N. NUMBER AND REVISION COMMENTS	DATE
A	E.C.N. #10652.	8.25.00
B	E.C.N. #11148.	02.08.07



PIN NO.	1	2	3	4	5	6	7	8
SEGMENT	COM	1E	1D	1C	DP1	2E	2D	2C
PIN NO.	9	10	11	12	13	14	15	16
SEGMENT	DP2	3E	3D	3C	3B	3A	3F	3G
PIN NO.	17	18	19	20	21	22	23	24
SEGMENT	2B	2A	2F	2G	1B	1A	1F	1G

CHARACTERISTICS	
FLUID TYPE	TN
BACKGROUND COLOR	GRAY
VIEWING DIRECTION	6:00
DISPLAY MODE	RELECTIVE
OPERATING VOLTAGE	3.0V A.C.
OPERATING TEMP.	0°C TO 50°C
STORAGE TEMP.	0°C TO 50°C
DRIVING METHOD	STATIC
CONNECTION TYPE	ZEBRA STRIPS



*UNLESS OTHERWISE SPECIFIED TOLERANCES PER DECIMAL PRECISION ARE: X=±1 (±0.039), X.X=±0.5 (±0.020), X.XX=±0.25 (±0.010), X.XXX=±0.127 (±0.005), LEAD SIZE=±0.05 (±0.002), LEAD LENGTH=±0.75 (±0.030), MIN.=+DECIMAL PRECISION -0.00, MAX.=+0.00 -DECIMAL PRECISION

REV.	PART NUMBER
B	LCD-S301C24TR-D
0.30" THREE DIGIT LCD GLASS, TN, REFLECTIVE, 6:00 VIEW, STANDARD OPERATING TEMPERATURE.	

CONFIDENTIAL INFORMATION
 THE INFORMATION CONTAINED IN THIS DOCUMENT IS THE PROPERTY OF LUMEX INC. EXCEPT AS SPECIFICALLY AUTHORIZED IN WRITING BY LUMEX INC., THE HOLDER OF THIS DOCUMENT SHALL KEEP ALL INFORMATION CONTAINED HEREIN CONFIDENTIAL AND SHALL PROTECT SAME IN WHOLE OR IN PART FROM DISCLOSURE AND DISSEMINATION TO ALL THIRD PARTIES.

RELIABILITY NOTE
 OUR MANY YEARS OF EXPERIENCE DATA ACCUMULATION INDICATE THAT SOLDER HEAT IS A MAJOR CAUSE OF EARLY AND FUTURE FAILURE. PLEASE PAY ATTENTION TO YOUR SOLDERING PROCESS.

LUMEX INCORPORATED

290 E. HELLEN ROAD
 PALATINE, ILLINOIS 60067
 PHONE: (847) 359-2790
 WEB: <http://www.lumex.com>

DRAWN BY:	CHECKED BY:	APPROVED BY:	DATE:
JC			8.4.00
			PAGE: 1 OF 1
			SCALE: N/A