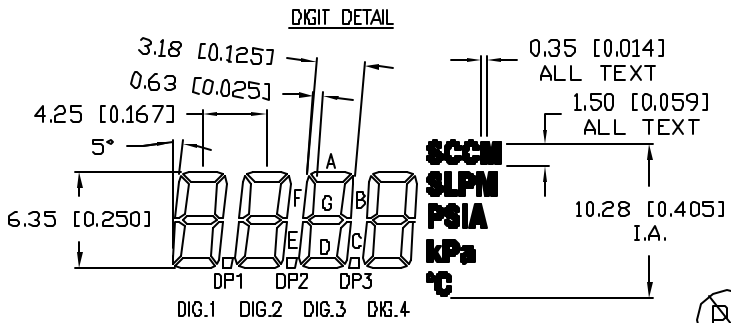
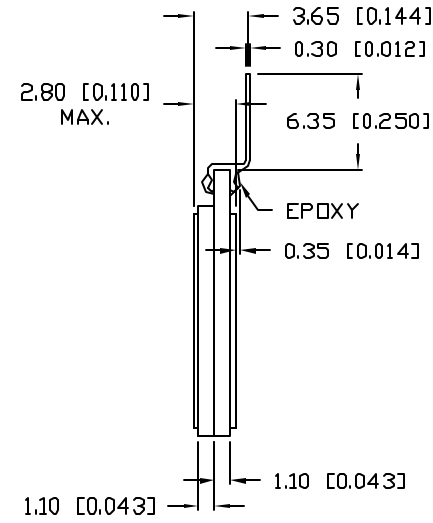
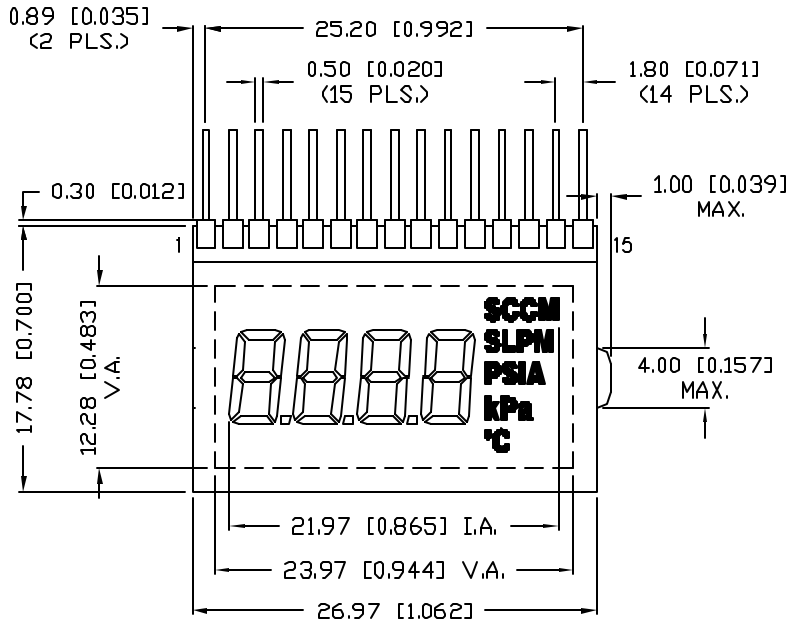


UNCONTROLLED DOCUMENT

PART NUMBER		REV.
LCD-S401M52TF		B
REV.	E.C.N. NUMBER AND REVISION COMMENTS	DATE
A	E.C.N. #11057.	11.17.03
B	E.C.N. #11148.	02.08.07



CHARACTERISTICS	
FLUID TYPE	TN
BACKGROUND COLOR	GRAY
VIEWING DIRECTION	8:00
DISPLAY MODE	TRANSFLECTIVE
OPERATING VOLTAGE	5.0V A.C. Von: 3.02V, Voff: 2.13V
FLUID TYPE	MS675
OPERATING TEMP.	0°C TO 50°C
STORAGE TEMP.	-20°C TO 70°C
DRIVING METHOD	1/3 DUTY, 1/2 BIAS
CONNECTION TYPE	15 PINS

PIN	1	2	3	4	5	6	7	8
COM0	COM0	/	/	1E	1D	DP1	2E	2D
COM1	/	COM1	/	1F	1G	1C	2F	2G
COM2	/	/	COM2	1A	1B	SCCM	2A	2B
PIN	9	10	11	12	13	14	15	
COM0	DP2	3E	3D	DP3	4E	4D	°C	
COM1	2C	3F	3G	3C	4F	4G	4C	
COM2	SLPM	3A	3B	PSIA	4A	4B	kPa	

\*UNLESS OTHERWISE SPECIFIED TOLERANCES PER DECIMAL PRECISION ARE: X=±1 (±0.039), XX=±0.5 (±0.020), XXX=±0.25 (±0.010), XXXX=±0.127 (±0.005). LEAD SIZE=±0.05 (±0.002), LEAD LENGTH=±0.75 (±0.030), MIN= <sup>+0.00</sup> <sub>-0.00</sub> DECIMAL PRECISION MAX.= <sup>+0.00</sup> <sub>-0.00</sub> DECIMAL PRECISION

UNCONTROLLED DOCUMENT

REV.	PART NUMBER
B	LCD-S401M52TF
0.25" CHARACTER HEIGHT, 4 DIGIT CUSTOM LCD PANEL, TN, TRANSFLECTIVE, 1/4 DUTY, 1/3 BIAS.	

**CONFIDENTIAL INFORMATION**  
 THE INFORMATION CONTAINED IN THIS DOCUMENT IS THE PROPERTY OF LUMEX INC. EXCEPT AS SPECIFICALLY AUTHORIZED IN WRITING BY LUMEX INC, THE HOLDER OF THIS DOCUMENT SHALL KEEP ALL INFORMATION CONTAINED HEREIN CONFIDENTIAL AND SHALL PROTECT SAME IN WHOLE OR IN PART FROM DISCLOSURE AND DISSEMINATION TO ALL THIRD PARTIES.

**RELIABILITY NOTE**  
 OUR MANY YEARS OF EXPERIENCE DATA ACCUMULATION INDICATE THAT SOLDER HEAT IS A MAJOR CAUSE OF EARLY AND FUTURE FAILURE. PLEASE PAY ATTENTION TO YOUR SOLDERING PROCESS.



290 E. HELEN ROAD  
 PALATINE, IL 60067-6976  
 PHONE: +1.847.359.2790  
 US WEB: www.lumex.com  
 TW WEB: www.lumex.com.tw

DRAWN BY:	CHECKED BY:	APPROVED BY:	DATE: 8.14.03
JC			PAGE: 1 OF 1
			SCALE: N/A