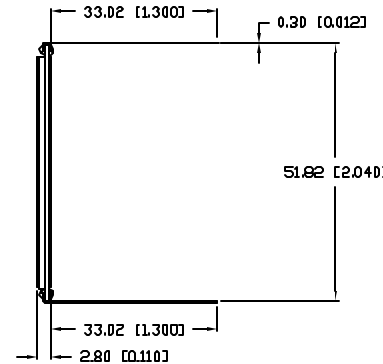
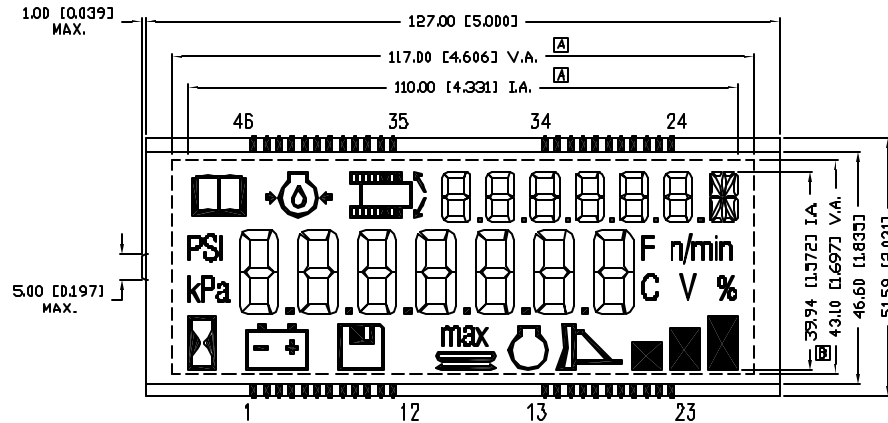
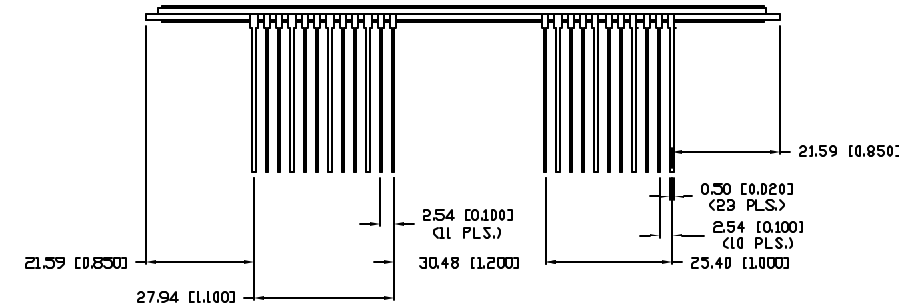


REV.	E.C.N. NUMBER AND REVISION COMMENTS	DATE
A	E.C.N. #11133.	6.10.04
B	E.C.N. #11140.	6.24.04
C	E.C.N. #11203.	12.28.04
D	E.C.N. #11148.	02.09.07



CHARACTERISTICS	
FLUID TYPE:	TN
BACKGROUND COLOR:	NEUTRAL
VIEWING DIRECTION:	12:00
DISPLAY MODE:	TRANSFLECTIVE
OPERATING VOLTAGE:	5.0V A.C.
OPERATING TEMP.	-40°C TO 85°C
STORAGE TEMP.	-40°C TO 85°C
DRIVING METHOD:	1/4 DUTY, 1/3 BIAS.
CONNECTION TYPE:	46 PINS



PIN	1	2	3	4	5	6	7	8	9	10	11	12	13	14	15	16
COM1	COM1	/	/	/	/	3F	3A	4F	4A	5F	5A	/	/	/	6F	6A
COM2	/	COM2	/	/	/	3G	3B	4G	4B	5G	5B	/	/	/	6G	6B
COM3	/	/	COM3	/	T4	3E	3C	4E	4C	5E	5C	max	/	TB	6E	6C
COM4	/	/	/	COM4	T5	3D	DP3	4D	DP4	5D	DP5	T6	T7	T9	6D	DP6
PIN	17	18	19	20	21	22	23	24	25	26	27	28	29	30	31	32
COM1	7F	7A	/	T12	14A1	14A2	14B	14F	13A	13F	12A	12F	11A	11F	10A	10F
COM2	7G	7B	n/min	%	14I	14J	14G2	14H	13B	13G	12B	12G	11B	11G	10B	10G
COM3	7E	7C	F	V	14K	14L	14M	14G1	13C	13E	12C	12E	11C	11E	10C	10E
COM4	7D	T10	C	T11	14D2	14D1	14C	14E	DP13	13D	DP12	12D	DP11	11D	DP10	10D
PIN	33	34	35	36	37	38	39	40	41	42	43	44	45	46		
COM1	9A	9F	8A	8F	/	COM1	/	/	/	2A	2F	1A	1F	T3		
COM2	9B	9G	8B	8G	T1A	/	COM2	/	/	2B	2G	1B	1G	PSI		
COM3	9C	9E	8C	8E	T1B	/	/	COM3	/	2C	2E	1C	1E	KPa		
COM4	DP9	DP8	DP7	8D	T2	/	/	/	COM4	DP2	2D	DP1	1D	/		

*UNLESS OTHERWISE SPECIFIED TOLERANCES PER DECIMAL PRECISION ARE: X=±1 (±0.039), XX=±0.5 (±0.020), XXX=±0.25 (±0.010), XXXX=±0.127 (±0.005). LEAD SIZE=±0.05 (±0.002), LEAD LENGTH=±0.75 (±0.030), MIN= +DECIMAL PRECISION -0.00, MAX.= +0.00 -DECIMAL PRECISION

REV.	PART NUMBER
D	LCD-U701M52TF-1

CONFIDENTIAL INFORMATION
THE INFORMATION CONTAINED IN THIS DOCUMENT IS THE PROPERTY OF LUMEX INC. EXCEPT AS SPECIFICALLY AUTHORIZED IN WRITING BY LUMEX INC, THE HOLDER OF THIS DOCUMENT SHALL KEEP ALL INFORMATION CONTAINED HEREIN CONFIDENTIAL AND SHALL PROTECT SAME IN WHOLE OR IN PART FROM DISCLOSURE AND DISSEMINATION TO ALL THIRD PARTIES.



290 E. HELEN ROAD
PALATINE, IL 60067-6976
PHONE: +1.847.359.2790
US WEB: www.lumex.com
TW WEB: www.lumex.com.tw

CUSTOM LCD PANEL, TN, TRANSFLECTIVE, TOP VIEW,
-40 ~ 85°C OPERATING TEMPERATURE, 46 PINS

RELIABILITY NOTE
OUR MANY YEARS OF EXPERIENCE DATA ACCUMULATION INDICATE THAT SOLDER HEAT IS A MAJOR CAUSE OF EARLY AND FUTURE FAILURE. PLEASE PAY ATTENTION TO YOUR SOLDERING PROCESS.

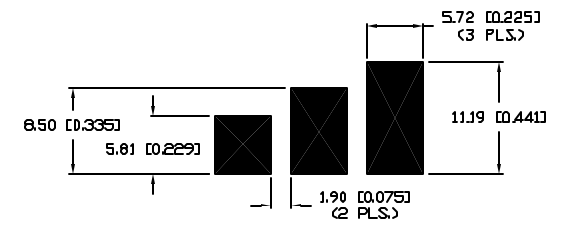
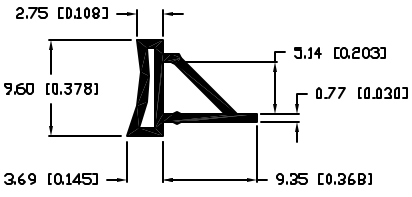
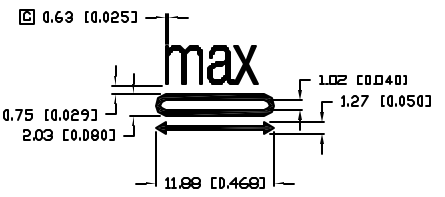
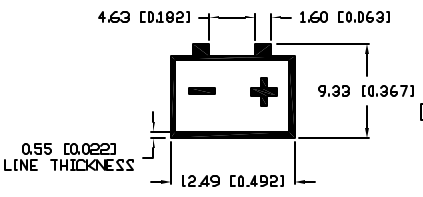
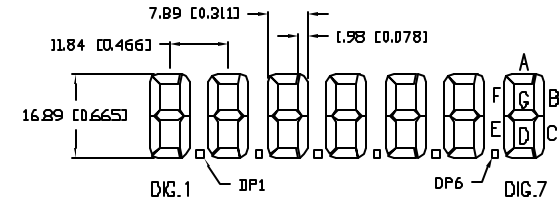
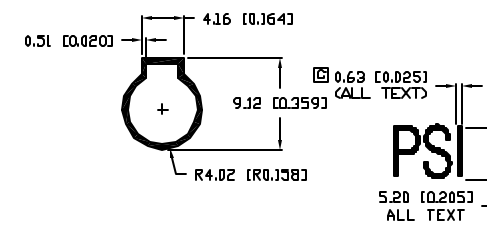
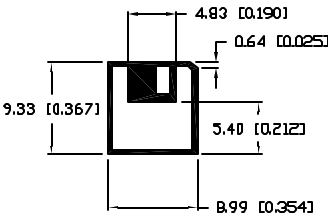
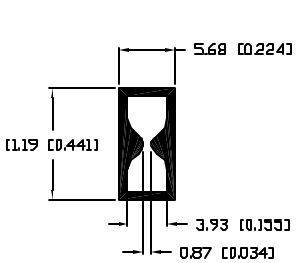
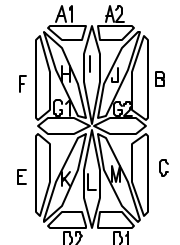
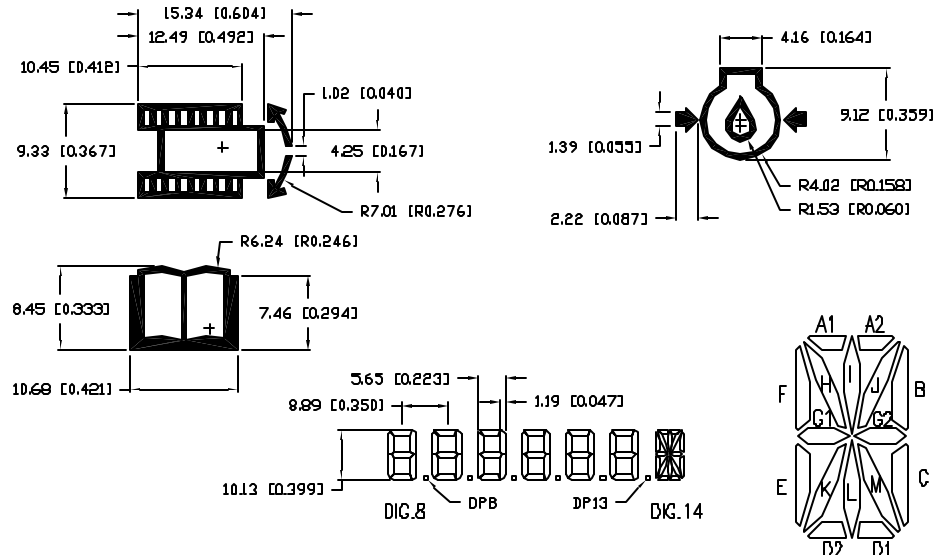
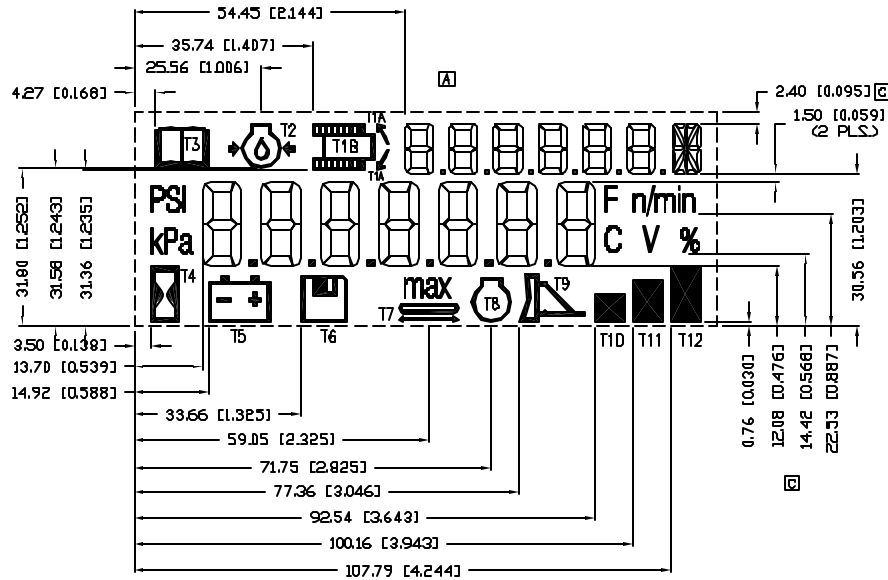
DRAWN BY: JC	CHECKED BY:	APPROVED BY:	DATE: 12.08.04 PAGE: 1 OF 2 SCALE: N/A
-----------------	-------------	--------------	--

UNCONTROLLED DOCUMENT

PART NUMBER
LCD-U701M52TF-1

REV.
D

REV.	E.C.N. NUMBER AND REVISION COMMENTS	DATE
	SEE PAGE 1.	



*UNLESS OTHERWISE SPECIFIED TOLERANCES PER DECIMAL PRECISION ARE: X=±1 (±0.039), XX=±0.5 (±0.020), XXX=±0.25 (±0.010), XXXX=±0.127 (±0.005). LEAD SIZE=±0.05 (±0.002), LEAD LENGTH=±0.75 (±0.030), MIN=+0.00 (DECIMAL PRECISION) -0.00 (DECIMAL PRECISION) MAX.=+0.00 (DECIMAL PRECISION) -0.00 (DECIMAL PRECISION)

UNCONTROLLED DOCUMENT

REV. D	PART NUMBER LCD-U701M52TF-1
-----------	--------------------------------

CONFIDENTIAL INFORMATION
THE INFORMATION CONTAINED IN THIS DOCUMENT IS THE PROPERTY OF LUMEX INC. EXCEPT AS SPECIFICALLY AUTHORIZED IN WRITING BY LUMEX INC, THE HOLDER OF THIS DOCUMENT SHALL KEEP ALL INFORMATION CONTAINED HEREIN CONFIDENTIAL AND SHALL PROTECT SAME IN WHOLE OR IN PART FROM DISCLOSURE AND DISSEMINATION TO ALL THIRD PARTIES.



290 E. HELEN ROAD
PALATINE, IL 60067-6976
PHONE: +1.847.359.2790
US WEB: www.lumex.com
TW WEB: www.lumex.com.tw

CUSTOM LCD PANEL, TN, TRANSFLECTIVE, TOP VIEW,
-40 ~ 85°C OPERATING TEMPERATURE, 46 PINS

RELIABILITY NOTE
OUR MANY YEARS OF EXPERIENCE DATA ACCUMULATION INDICATE THAT SOLDER HEAT IS A MAJOR CAUSE OF EARLY AND FUTURE FAILURE. PLEASE PAY ATTENTION TO YOUR SOLDERING PROCESS.

DRAWN BY: JC	CHECKED BY:	APPROVED BY:	DATE: 12.08.04 PAGE: 2 OF 2 SCALE: N/A
-----------------	-------------	--------------	--