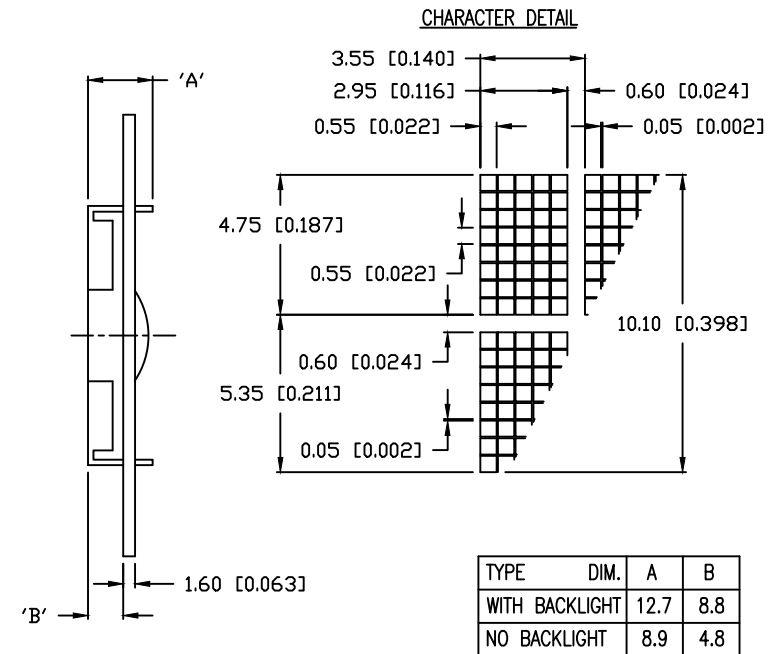
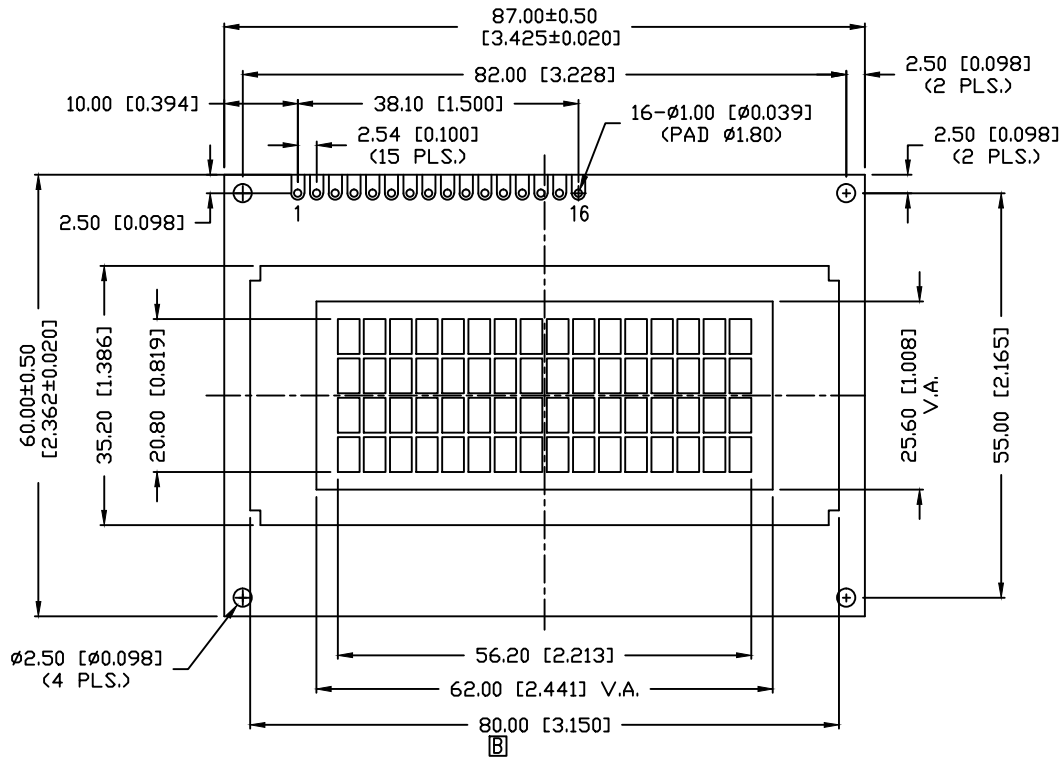


PART NUMBER
LCM-X01604DXX

REV.
B

P/N PREFIX/SUFFIX TABLE		
LCM-X	DXX	DESCRIPTION
STANDARD	S	SR STN, REFLECTIVE
	S	SF STN, TRANSFLECTIVE(W/ BACKLIGHT)
HIGH TEMP.	H	TR TN, REFLECTIVE
	H	TF TN, TRANSFLECTIVE(W/ BACKLIGHT)

REV.	E.C.N. NUMBER AND REVISION COMMENTS	DATE
A	E.C.N. #10464./	10-9-98
B	E.C.N. #11973	8-13-15



CAUTION: STATIC SENSITIVE DEVICE
FOLLOW PROPER E.S.D. HANDLING PROCEDURES
WHEN WORKING WITH THIS PART.

*UNLESS OTHERWISE SPECIFIED TOLERANCE IS ±0.25mm (±0.010")

REV.	PART NUMBER
B	LCM-X01604DXX

CONFIDENTIAL INFORMATION
THE INFORMATION CONTAINED IN THIS DOCUMENT IS THE PROPERTY OF LUMEX INC. EXCEPT AS SPECIFICALLY AUTHORIZED IN WRITING BY LUMEX INC., THE HOLDER OF THIS DOCUMENT SHALL KEEP ALL INFORMATION CONTAINED HEREIN CONFIDENTIAL AND SHALL PROTECT SAME IN WHOLE OR IN PART FROM DISCLOSURE AND DISSEMINATION TO ALL THIRD PARTIES.

RELIABILITY NOTE
OUR MANY YEARS OF EXPERIENCE DATA ACCUMULATION INDICATE THAT SOLDER HEAT IS A MAJOR CAUSE OF EARLY AND FUTURE FAILURE. PLEASE PAY ATTENTION TO YOUR SOLDERING PROCESS.



425 N. GARY AVE.
CAROL STREAM, ILLINOIS 60188
PHONE: 630-315-2150
WEB: HTTP://WWW.LUMEX.COM

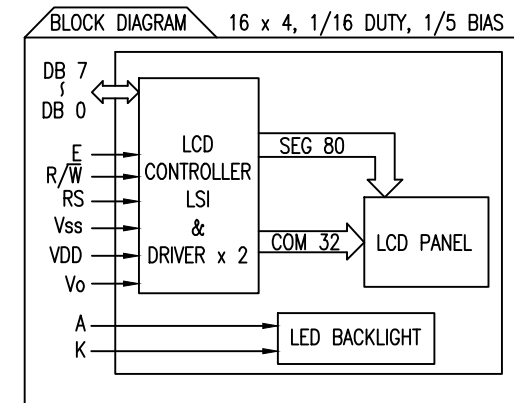
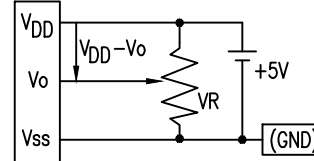
4.75mm TALL, 5 x 8 DOT MATRIX,
16 x 4 CHARACTER LCD MODULE, 1/16 DUTY, 1/5 BIAS.

DRAWN BY:	CHECKED BY:	APPROVED BY:	DATE:
SA/BC			8-10-98
			PAGE: 1 OF 2
			SCALE: N/A

REV.	E.C.N. NUMBER AND REVISION COMMENTS	DATE
	SEE PAGE #1./	

PIN CONFIGURATION						
PIN NO.	SYMBOL	LEVEL	FUNCTION			
1	V _{SS}	-	POWER SUPPLY	GND (0V)		
2	V _{DD}	-		5V		
3	V _O	-		FOR LCD DRIVE		
4	RS	H/L	REGISTER SELECT SIGNAL H: DATA INPUT L: INSTRUCTION INPUT			
5	R/ \bar{W}	H/L	H: DATA READ (MODULE-->MPU) L: DATA WRITE (MODULE<--MPU)			
6	E	H,H->L	ENABLE			
7~14	DB0~DB7	H/L	DATA BUS--SOFTWARE SELECTABLE 4 OR 8 BIT MODE.			
15	A	-	ANODE	LED BACKLIGHT		
16	K	-	CATHODE	LED BACKLIGHT		

V_{DD}-V_O: LCD DRIVING VOLTAGE
VR: 10K Ω -20K Ω



ELECTRICAL CHARACTERISTICS		V _{DD} =4.7V to 5.3V, T _A =25°C					
ITEM	SYMBOL	CONDITION	STANDARD VALUE			UNIT	
			MIN.	TYP.	MAX.		
SUPPLY VOLTAGE FOR LOGIC	V _{DD} -V _{SS}	-	-	5.0	-	V	
SUPPLY CURRENT FOR LOGIC	I _{DD}	V _{DD} =5V	-	2.0	3.0	mA	
INPUT VOLTAGE	HIGH	V _{IH}	-	2.2	4.7	V	
	LOW	V _{IL}	-	0	0.6	V	
OUTPUT VOLTAGE	HIGH	V _{OH}	-	2.4	-	V	
	LOW	V _{OL}	-	-	0.4	V	
*LED BACKLIGHT	VOLTAGE	V _f	I _f =260mA	-	4.2	4.5	V
	CURRENT	I _f	-	-	260	400	mA
	POWER CONSUMPTION	PD	-	-	1092	-	mW
	LUMINOUS	L	I _f =260mA	70	-	-	cd/m ²
	COLOR	-	-	-	-	-	nm

*ONLY APPLIES TO MODULES WITH BACKLIGHT

ABSOLUTE MAXIMUM RATINGS		V _{DD} =4.7V to 5.3V, T _A =25°C			
ITEM	SYMBOL	TEST CONDITION	STANDARD VALUE		UNIT
			MIN	MAX	
SUPPLY VOLTAGE FOR LOGIC	V _{DD} -V _{SS}	T _a =25°C	4.7	5.3	V
SUPPLY VOLTAGE FOR LCD DRIVE	V _{DD} -V _O	-	4.2@50°C	4.8@0°C	V
INPUT VOLTAGE	V _I	T _a =25°C	V _{SS}	V _{DD}	V
OPERATING TEMPERATURE	T _{opr}	LCM-S	0	50	°C
		LCM-H	-20	70	°C
STORAGE TEMPERATURE	T _{stg}	LCM-S	-20	70	°C
		LCM-H	-30	85	°C

REV. B	PART NUMBER LCM-X01604DXX
4.75mm TALL, 5 x 8 DOT MATRIX, 16 x 4 CHARACTER LCD MODULE, 1/16 DUTY, 1/5 BIAS.	

CONFIDENTIAL INFORMATION
THE INFORMATION CONTAINED IN THIS DOCUMENT IS THE PROPERTY OF LUMEX INC. EXCEPT AS SPECIFICALLY AUTHORIZED IN WRITING BY LUMEX INC., THE HOLDER OF THIS DOCUMENT SHALL KEEP ALL INFORMATION CONTAINED HEREIN CONFIDENTIAL AND SHALL PROTECT SAME IN WHOLE OR IN PART FROM DISCLOSURE AND DISSEMINATION TO ALL THIRD PARTIES.

RELIABILITY NOTE
OUR MANY YEARS OF EXPERIENCE DATA ACCUMULATION INDICATE THAT SOLDER HEAT IS A MAJOR CAUSE OF EARLY AND FUTURE FAILURE. PLEASE PAY ATTENTION TO YOUR SOLDERING PROCESS.

LUMEX INCORPORATED

425 N. GARY AVE.
CAROL STREAM, ILLINOIS 60188
PHONE: 630-315-2150
WEB: HTTP://WWW.LUMEX.COM

DRAWN BY: SA/BC	CHECKED BY:	APPROVED BY:	DATE: 8-10-98
			PAGE: 2 OF 2
			SCALE: N/A