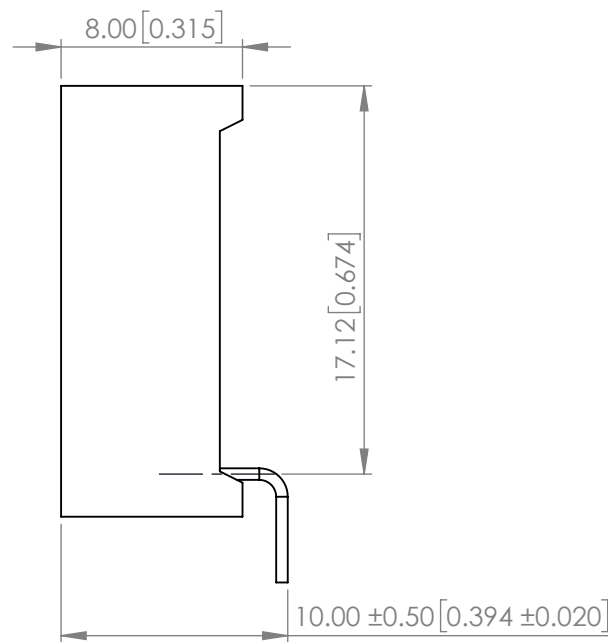
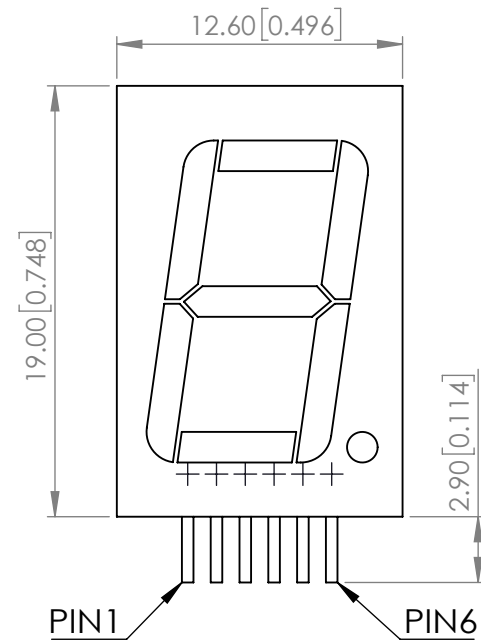
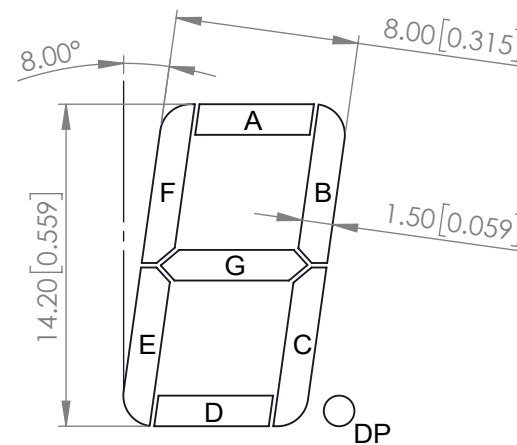
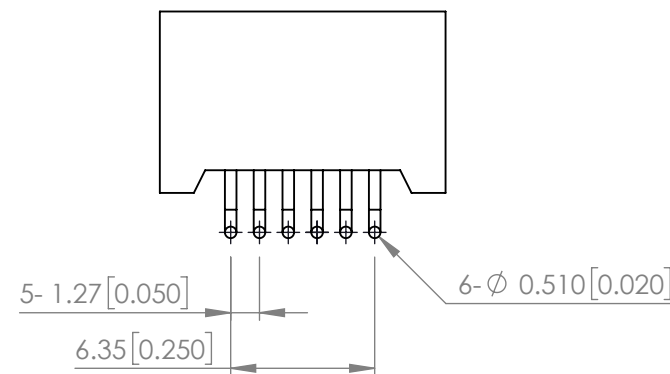


PART NUMBER		LDS-N512RI-RA	REV	A
REV	E.C.N. NUMBER AND REVISION COMMENTS			DATE
A	ECN-Lumex202000074			02.10.20



**ELECTRO-OPTICAL CHARACTERISTIC TA=25°C PER SEGMENT**

PARAMETER	MIN	TYP	MAX	UNITS	TEST COND
PEAK WAVELENGTH	-	568	-	nm	If=10mA
FORWARD VOLTAGE	-	2.1	2.6	Vf	If=10mA
REVERSE CURRENT	-	-	100	uA	VR=5V
LUMINOUS INTENSITY	-	3500	-	ucd	If=10mA
EMITTED COLOR	YELLOW GREEN				
FONT COLOR	GRAY				
SEGMENT COLOR	MILKY WHITE DIFFUSED				

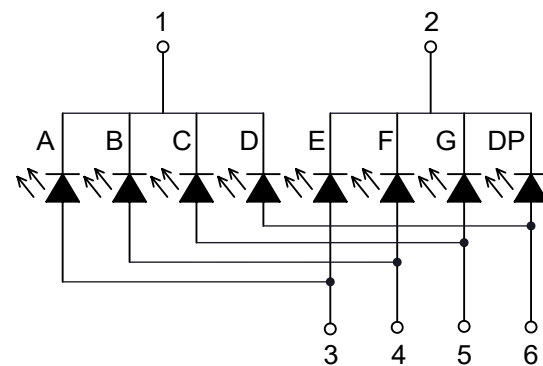


**ABSOLUTE MAXIMUM RATINGS TA=25°C PER SEGMENT**

PARAMETER	MAX	UNITS
PEAK FORWARD CURRENT*	100	mA
FORWARD CURRENT	25	mA
POWER DISIPATION	65	mW
REVERSE VOLTAGE	5	V
STORAGE TEMPERATURE	-40 TO +105	°C
OPERATING TEMPERATURE	-40 TO +105	°C

\* t<10us

**POLARITY**



\*UNLESS OTHERWISE SPECIFIED TOLERANCES PER DECIMAL PRECISION ARE: X=±1 (±0.039), X.X=±0.5 (±0.020), X.XX=±0.25 (±0.010), X.XXX=±0.127 (±0.005). LEAD SIZE=±0.05 (±0.002), LEAD LENGTH=±0.75 (±0.030). MIN= <sup>+DECIMAL PRECISION</sup>/<sub>-0.00</sub> MAX= <sup>+0.00</sup>/<sub>-DECIMAL PRECISION</sub>



425 N. GARY AVE.  
CAROL STREAM, IL 60188  
PHONE : 800-278-5666  
FAX : 630-315-2150  
WEB : WWW.LUMEX.COM

19.0(L)\*12.6(W)\*8.0(H)mm,0.56" SINGLE DIGIT,SEVEN SEGMENT DISPLAY,568nm YELLOW GREEN LEDS,GRAY FACE WITH WHITE SEGMENTS,COMMON ANODE, RIGHT DECIMAL POINT.

**\*\*THE SPECIFICATIONS MAY CHANGE AT ANY TIME WITHOUT NOTICE.\*\***

CONFIDENTIAL INFORMATION  
THE INFORMATION CONTAINED IN THIS DOCUMENT IS THE PROPERTY OF LUMEX INC. EXCEPT AS SPECIFICALLY AUTHORIZED IN WRITING BY LUMEX INC., THE HOLDER OF THIS DOCUMENT SHALL KEEP ALL INFORMATION CONTAINED HEREIN CONFIDENTIAL AND SHALL PROTECT SAME IN WHOLE OR IN PART FROM DISCLOSURE AND DISSEMINATION TO ALL THIRD PARTIES.

DATE : 2020.02.10	DRAWN BY : E.C.
PAGE : 1 OF 1	CHKD BY : E.C.
SCALE : NTF	APRVD BY : G.Y.
UNIT : mm [INCH]	Ⓢ