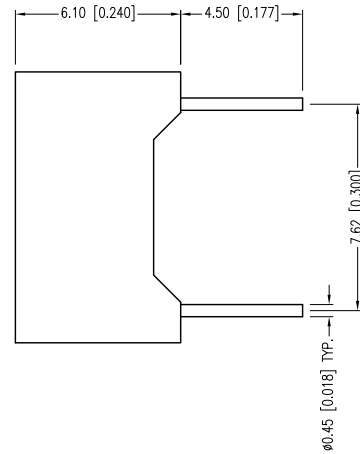
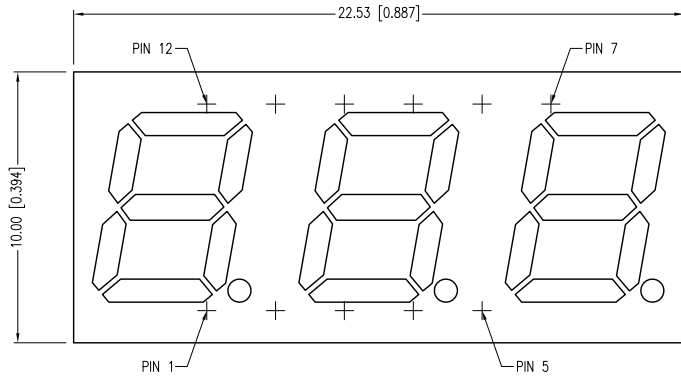


|             |                                     |      |      |
|-------------|-------------------------------------|------|------|
| PART NUMBER | LDT-N2802RI-SUG                     | REV. | A    |
| DATE        | E.C.N. NUMBER AND REVISION COMMENTS |      | REV. |
| 07.26.12    | E.C.N. #10BRDR. & REDRAWN.          |      | A    |



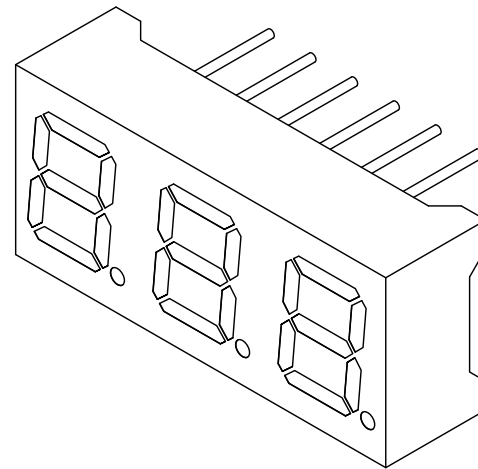
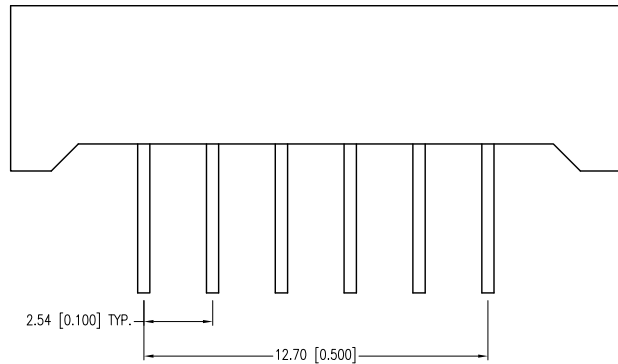
ELECTRO-OPTICAL CHARACTERISTICS Ta=25°C If=10mA

| PARAMETER       | MIN                  | TYP  | MAX | UNITS | TEST COND |
|-----------------|----------------------|------|-----|-------|-----------|
| PEAK WAVELENGTH |                      | 574  |     | nm    |           |
| FORWARD VOLTAGE |                      | 2.2  | 2.6 | Vf    |           |
| REVERSE VOLTAGE | 5.0                  |      |     | Vr    | Ir=100µA  |
| AXIAL INTENSITY |                      | 7000 |     | µcd   | If=10mA   |
| EMITTED COLOR:  | GREEN                |      |     |       |           |
| FACE COLOR:     | GRAY                 |      |     |       |           |
| LENS FINISH:    | MILKY WHITE DIFFUSED |      |     |       |           |

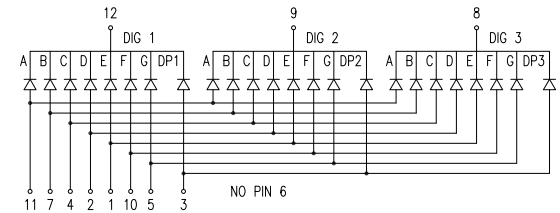
LIMITS OF SAFE OPERATION AT 25°C PER CHIP

| PARAMETER             | MAX        | UNITS |
|-----------------------|------------|-------|
| PEAK FORWARD CURRENT* | 150        | mA    |
| STEADY CURRENT        | 25         | mA    |
| POWER DISSIPATION     | 105        | mW    |
| DERATE FROM 25°C      | -1.2       | mW/°C |
| OPERATING TEMP.       | -30 TO +85 | °C    |
| STORAGE TEMP.         | -30 TO +85 | °C    |
| SOLDERING TEMP.       | +260       | °C    |
| 2.0mm FROM BODY       | 3          | SEC.  |

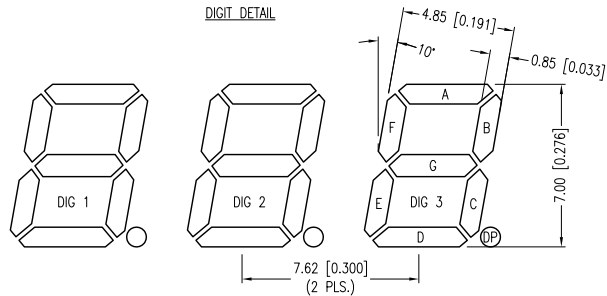
\* t<10µs



COMMON CATHODE



DIGIT DETAIL



\*UNLESS OTHERWISE SPECIFIED TOLERANCES PER DECIMAL PRECISION ARE: X=±1 (±0.039), X.X=±0.5 (±0.020), X.XX=±0.25 (±0.010), X.XXX=±0.127 (±0.005). LEAD SIZE=±0.05 (±0.002), LEAD LENGTH=±0.75 (±0.030). MIN.= +DECIMAL PRECISION MAX.= +0.00 -DECIMAL PRECISION

**LUMEX**  
 Creating LED and LCD Solutions Together™  
 290 E. HELEN ROAD  
 PALATINE, IL 60067-6976  
 PHONE: +1.847.359.2790  
 FAX: +1.847.359.6538  
 WEB: WWW.LUMEX.COM  
 MEMBER OF ITW PHOTONICS GROUP

QUASARBRITE 0.28" 3 DIGIT, 7 SGM T DISPLAY, 574nm GREEN, COMMON CATHODE, MULTIPLEXED.

\*\*THE SPECIFICATIONS MAY CHANGE AT ANY TIME WITHOUT NOTICE DUE TO NEW MATERIALS OR PRODUCT IMPROVEMENT.\*\*

CONFIDENTIAL INFORMATION  
 THE INFORMATION CONTAINED IN THIS DOCUMENT IS THE PROPERTY OF LUMEX INC. EXCEPT AS SPECIFICALLY AUTHORIZED IN WRITING BY LUMEX INC., THE HOLDER OF THIS DOCUMENT SHALL KEEP ALL INFORMATION CONTAINED HEREIN CONFIDENTIAL AND SHALL PROTECT SAME IN WHOLE OR IN PART FROM DISCLOSURE AND DISSEMINATION TO ALL THIRD PARTIES.

|        |           |           |    |
|--------|-----------|-----------|----|
| DATE:  | 07.26.12  | DRAWN BY: | AB |
| PAGE:  | 1 OF 1    | CHKD BY:  | SS |
| SCALE: | NTS       | APRVD BY: | SS |
| UNIT:  | mm [INCH] |           | Ⓟ  |