

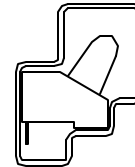
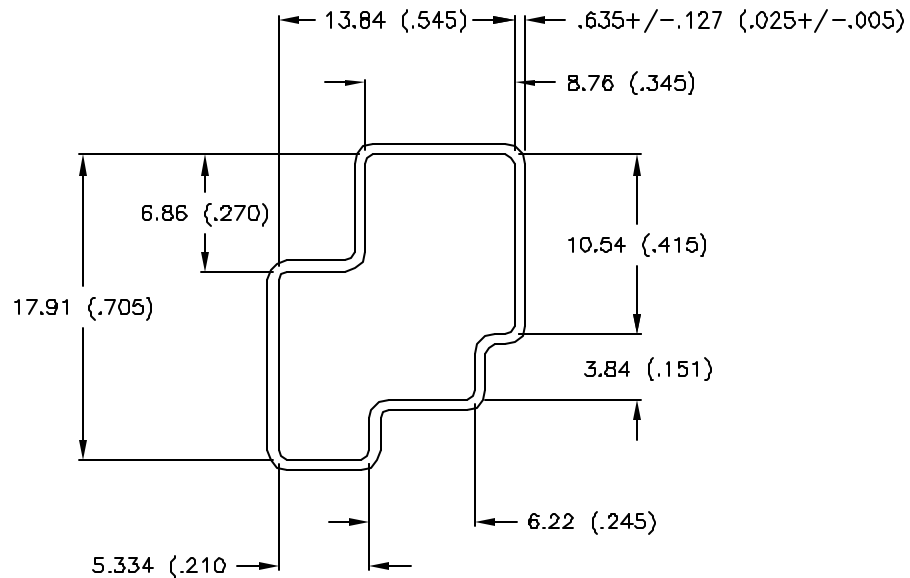
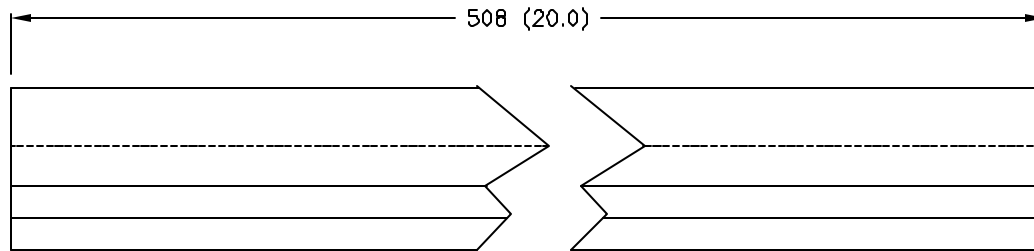
DATE

REVISIONS

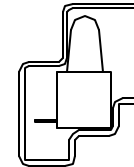
REV

DRAWING NUMBER
LXP-TUBE-02

REV



DETAIL 'A'



DETAIL 'B'

LUMEX
OPTO/COMPONENTS, INC.

292 E. HELLEN ROAD
PALATINE, ILLINOIS 60067
(708) 359-2790

CONFIDENTIAL INFORMATION
THE INFORMATION CONTAINED IN THIS DOCUMENT IS THE PROPERTY OF LUMEX OPTO/COMPONENTS, INC. EXCEPT AS SPECIFICALLY AUTHORIZED IN WRITING BY LUMEX OPTO/COMPONENTS, INC., THE HOLDER OF THIS DOCUMENT SHALL KEEP ALL INFORMATION CONTAINED HEREIN CONFIDENTIAL AND SHALL PROTECT SAME IN WHOLE OR IN PART FROM DISCLOSURE AND DISSEMINATION TO ALL THIRD PARTIES.

DATE: 7-1-93

DWN:

CHK'D:

APPD:

SCALE: DO NOT SCALE DWG

TUBE PACK FOR SSF-LXH121 OR SSF-LXH16139 SERIES

PAGE 1 OF 1

DRAWING NUMBER
LXP-TUBE-02

REV

STEVES