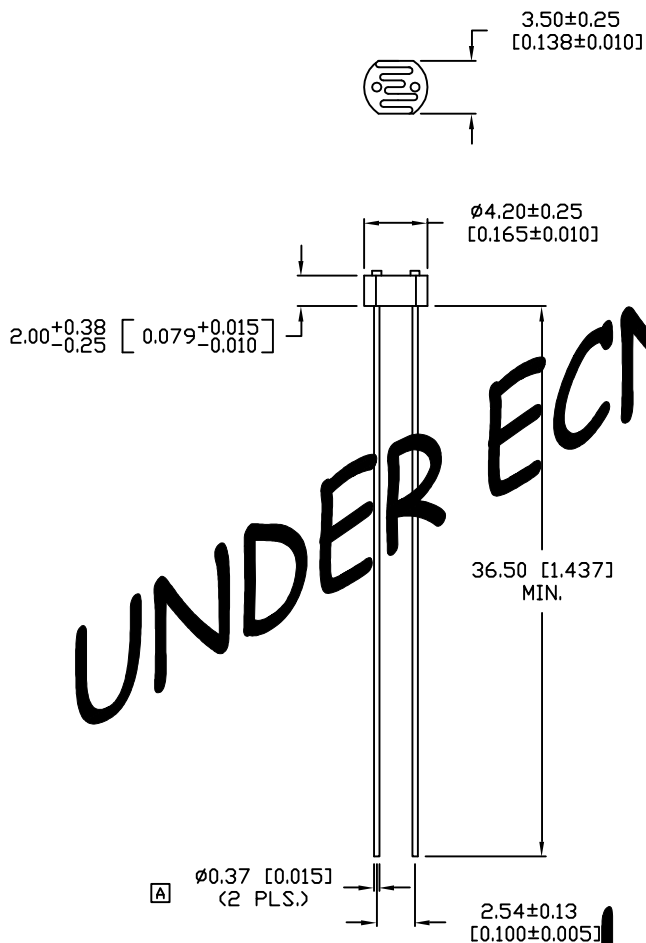


DATE	REVISIONS	REV
4-13-98	E.C.N. #10BRDR. & REDRAWN./	A

DRAWING NUMBER	REV
OED-PCC-9P5-C	A



UNDER ECN REVISION

UNDER ECN REVISION

VARIATION OF CONDUCTANCE WITH TEMPERATURE AND LIGHT

LUX	0.1	1.0	10	100	1000
TEMPERATURE	% CONDUCTANCE				
-25 °C	117	108	98	95	96
0 °C	105	102	96	95	97
25 °C	100	100	100	100	100
50 °C	96	95	101	106	104
75 °C	82	81	98	111	110

RESPONSE TIME VERSUS LIGHT

LUX	0.1	1.0	10	100	1000
RISE (SECONDS)	5.80	0.82	0.140	0.03	0.010
DECAY (SECONDS)	2.96	0.56	0.110	0.04	0.014

PEAK RESPONSE WAVELENGTH (nm)	RESISTANCE (K ohm) 10 LUX		MIN. DARK RESISTANCE AFTER 1 SE.	MAX VOLTAGE RATING (PEAK AC) (volts)	MEASUREMENT VOLTAGE (volts)
	MIN	MAX			
550	200	250	10	250	35

**RELIABILITY NOTE**  
 OUR MANY YEARS OF EXPERIENCE DATA ACCUMULATION INDICATE THAT SOLDER HEAT IS A MAJOR CAUSE OF EARLY AND FUTURE FAILURE. PLEASE PAY ATTENTION TO YOUR SOLDERING PROCESS.



290 E. HELLEN ROAD  
 PALATINE, ILLINOIS 60067  
 (847) 359-2790

CONFIDENTIAL INFORMATION  
 THE INFORMATION CONTAINED IN THIS DOCUMENT IS THE PROPERTY OF LUMEX INCORPORATED. EXCEPT AS SPECIFICALLY AUTHORIZED IN WRITING BY LUMEX INCORPORATED, THE HOLDER OF THIS DOCUMENT SHALL KEEP ALL INFORMATION CONTAINED HEREIN CONFIDENTIAL AND SHALL PROTECT SAME IN WHOLE OR IN PART FROM DISCLOSURE AND DISSEMINATION TO ALL THIRD PARTIES.

DATE: 2-1-96	DWN:	CHK'D:	APPD:
SCALE: N/A			

PHOTOCONDUCTIVE CELL.

- NOTES:
1. TEMPERATURE RANGE: -25°C TO +75°C.
  2. MAXIMUM POWER: 125mW.

UNLESS OTHERWISE SPECIFIED TOLERANCE IS ±.25mm (±0.010")

DU

PAGE 1 OF 2	DRAWING NUMBER	REV
	OED-PCC-9P5-C	A