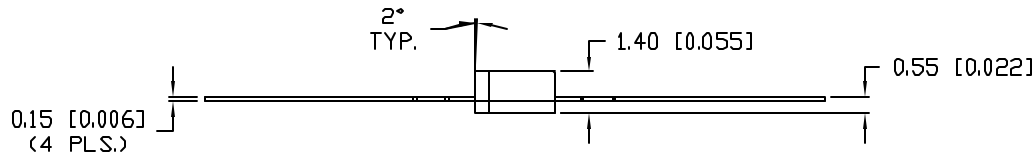
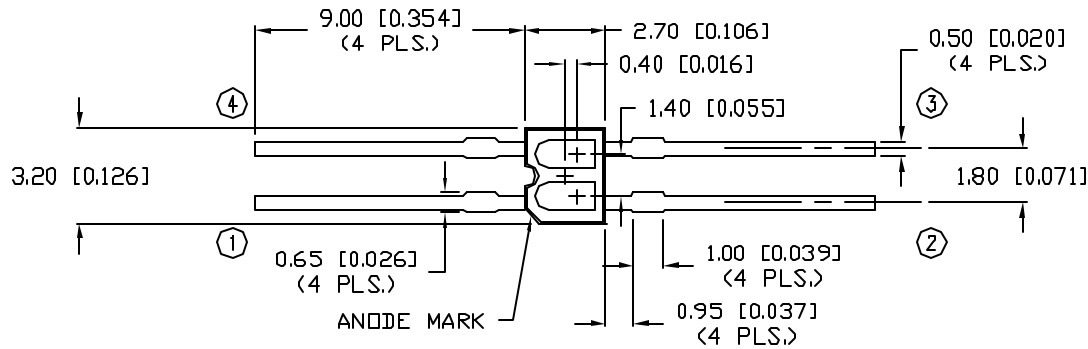
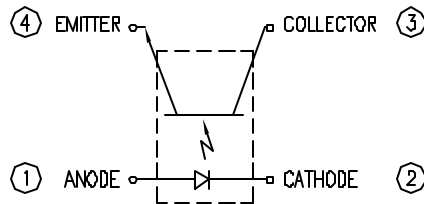


UNCONTROLLED DOCUMENT

PART NUMBER		REV.
OED-SR-105		
REV.	E.C.N. NUMBER AND REVISION COMMENTS	DATE



TOP VIEW PINLAYOUT



ELECTRO-OPTICAL CHARACTERISTICS $T_A=25^\circ\text{C}$

PARAMETER	SYMBOL	MIN	TYP	MAX	UNITS	TEST COND
INPUT:						
FORWARD VOLTAGE	V_f			1.3	V	$I_f = 10\text{ mA}$
REVERSE CURRENT	I_r			10	μA	$V_r = 5\text{ V}$
OUTPUT:						
COLLECTOR DARK CURRENT	I_{ceo}			0.2	μA	$V_{ce} = 10\text{ V}$
COLLECTOR LIGHT CURRENT	I_L	90			μA	$V_{ce} = 5\text{ V}$ $I_f = 10\text{ mA}$
LEAKAGE CURRENT	I_{ceod}			0.2	μA	$V_{ce} = 5\text{ V}$ $I_f = 10\text{ mA}$
SWITCHING SPEEDS:						
RIISING TIME	T_r		30		μS	$V_{cc} = 2\text{ V}$ $I_c = 0.1\text{ mA}$
FALLING TIME	T_f		25		μS	$R_l = 1\text{ K } \Omega$

LIMITS OF SAFE OPERATION AT 25°C

PARAMETER	SYMBOL	MAX	UNITS
INPUT:			
REVERSE VOLTAGE	V_r	5	V
POWER DISSIPATION	P_d	75	mW
FORWARD CURRENT	I_f	50	mA
OUTPUT:			
COLLECTOR POWER DISSIPATION	P_c	50	mW
COLLECTOR CURRENT	I_c	20	mA
C-E VOLTAGE	V_{ceo}	30	V
E-C VOLTAGE	V_{eco}	3	V
OPERATING TEMP.	T_{opr}	-20 TO +85	$^\circ\text{C}$
STORAGE TEMP.	T_{stg}	-30 TO +100	$^\circ\text{C}$
SOLDERING TEMP.	T_{sol}	+240	$^\circ\text{C}$
2.0mm FROM BODY	dist.		5 SEC. MAX

UNCONTROLLED DOCUMENT

*UNLESS OTHERWISE SPECIFIED TOLERANCE IS $\pm 0.25\text{mm}$ (± 0.010)

REV.	PART NUMBER
	OED-SR-105

CONFIDENTIAL INFORMATION
 THE INFORMATION CONTAINED IN THIS DOCUMENT IS THE PROPERTY OF LUMEX INC. EXCEPT AS SPECIFICALLY AUTHORIZED IN WRITING BY LUMEX INC, THE HOLDER OF THIS DOCUMENT SHALL KEEP ALL INFORMATION CONTAINED HEREIN CONFIDENTIAL AND SHALL PROTECT SAME IN WHOLE OR IN PART FROM DISCLOSURE AND DISSEMINATION TO ALL THIRD PARTIES.



290 E. HELLEN ROAD
 PALATINE, ILLINOIS 60067
 PHONE: 1-847-359-2790
 WEB: HTTP://WWW.LUMEX.COM

2.7mm x 3.2mm AXIAL PHOTO REFLECTIVE SENSOR,
 4 LEADED.

RELIABILITY NOTE
 OUR MANY YEARS OF EXPERIENCE DATA ACCUMULATION INDICATE THAT SOLDER HEAT IS A MAJOR CAUSE OF EARLY AND FUTURE FAILURE. PLEASE PAY ATTENTION TO YOUR SOLDERING PROCESS.

DRAWN BY:	CHECKED BY:	APPROVED BY:	DATE: 10-22-99
			PAGE: 1 OF 1
			SCALE: N/A

TM/DJ