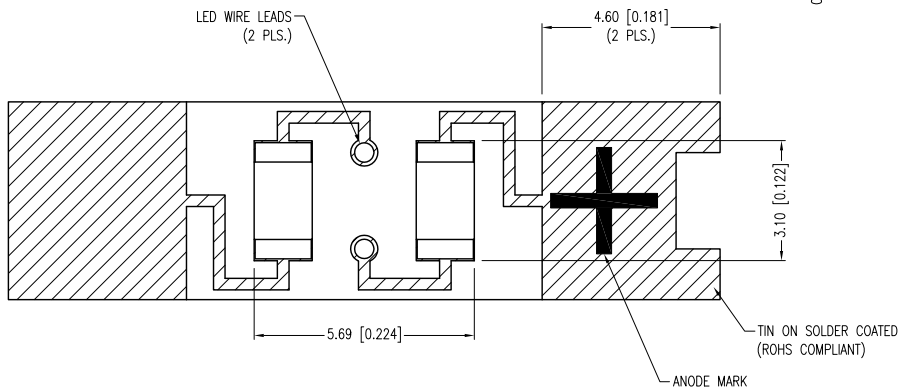
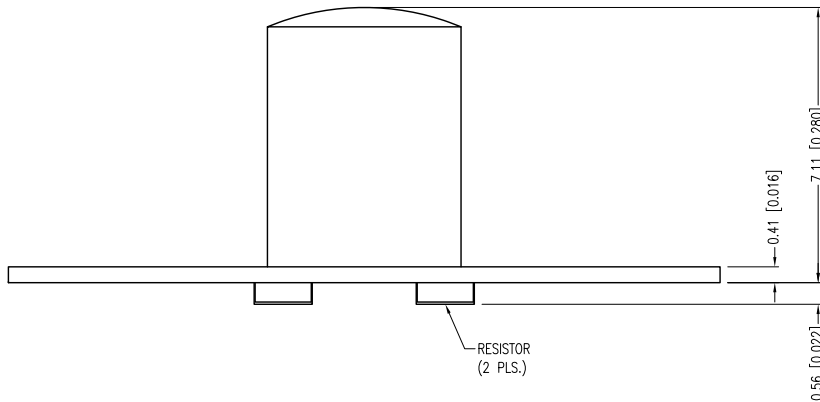
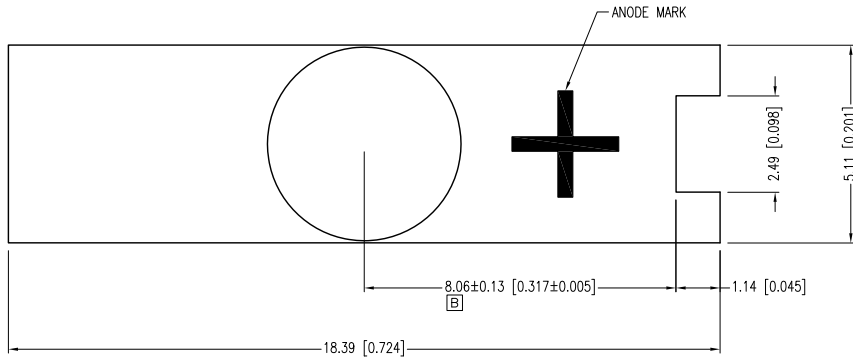


PART NUMBER	SSA-PCB507RT4SI14	REV.	B
DATE	E.C.N. NUMBER AND REVISION COMMENTS		REV.
08.29.12	E.C.N. #11846.		A
10.22.12	E.C.N. #11876.		B



ELECTRO-OPTICAL CHARACTERISTICS $T_a=25^{\circ}\text{C}$ $V_f=13.5\text{V}$

PARAMETER	MIN	TYP	MAX	UNITS	TEST COND
PEAK WAVELENGTH		640		nm	
FORWARD VOLTAGE		10.5	13.5	Vf	
REVERSE VOLTAGE	10			Vr	Ir=100μA
AXIAL INTENSITY	110	260		mcd	Vf=13.5V
VIEWING ANGLE		50		2x theta	
EMITTED COLOR:	RED				
EPOXY LENS FINISH:	RED TRANSPARENT				

LIMITS OF SAFE OPERATION AT 25°C

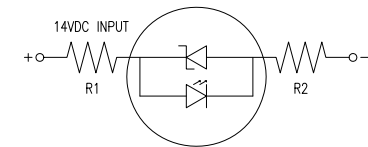
PARAMETER	MAX	UNITS
PEAK FORWARD CURRENT*	9~16	V
STEADY CURRENT	10.5	mA
POWER DISSIPATION	260	mW
DERATE FROM 25°C	-1.2	mW/°C
OPERATING TEMP.	-40 TO +70	°C
STORAGE TEMP.	-40 TO +85	°C
SOLDERING TEMP.	+260	°C
2.0mm FROM BODY	3	SEC.

* t<10μS

[A] NOTES:

- VOLTAGE TRANSIENT REQUIREMENTS:
MUST PASS SAE J1455 (AUG 1994)-
LOAD DUMP TABLE 4A, INDUCTIVE SWITCHING TABLE 4A
- DESCRIPTION: T 1-3/4 (5mm) LED WITH INTERNAL ZENOR DIODE AND EXTERNAL RESISTOR FOR REVERSE VOLTAGE AND INDUCTIVE VOLTAGE.
- R1 AND R2 RESISTORS ARE ROHM P/N CRCW12061K00JNEAHP (SUBSTITUTE PART: VISHAY CRCW12061K00FKEAHP). RESISTANCE=1.0KΩ, 1206 SMD.
- ZENOR DIODE VALUE=3.9VDC.
- EATON: 28-7757-3.

CAUTION: STATIC SENSITIVE DEVICE
FOLLOW PROPER E.S.D. HANDLING PROCEDURES
WHEN WORKING WITH THIS PART.



*UNLESS OTHERWISE SPECIFIED TOLERANCES PER DECIMAL PRECISION ARE: X=±1 (±0.039), X.X=±0.5 (±0.020), X.XX=±0.25 (±0.010), X.XXX=±0.127 (±0.005). LEAD SIZE=±0.05 (±0.002), LEAD LENGTH=±0.75 (±0.030). MIN= ^{+DECIMAL PRECISION} _{-0.00} MAX= ^{+0.00} _{-DECIMAL PRECISION}

LUMEX
Creating LED and LCD Solutions Together™

425 N. GARY AVE.
CAROL STREAM, IL 60188-4900
PHONE: +1.800.278.5666
FAX: +1.630.315.2152
WEB: WWW.LUMEX.COM
MEMBER OF ITW PHOTONICS GROUP

CUSTOM LED PCB ASSEMBLY, 14V, RED.

THE SPECIFICATIONS MAY CHANGE AT ANY TIME WITHOUT NOTICE DUE TO NEW MATERIALS OR PRODUCT IMPROVEMENT.

CONFIDENTIAL INFORMATION
THE INFORMATION CONTAINED IN THIS DOCUMENT IS THE PROPERTY OF LUMEX INC. EXCEPT AS SPECIFICALLY AUTHORIZED IN WRITING BY LUMEX INC., THE HOLDER OF THIS DOCUMENT SHALL KEEP ALL INFORMATION CONTAINED HEREIN CONFIDENTIAL AND SHALL PROTECT SAME IN WHOLE OR IN PART FROM DISCLOSURE AND DISSEMINATION TO ALL THIRD PARTIES.

DATE:	01.16.12	DRAWN BY:	AB
PAGE:	1 OF 1	CHKD BY:	JD
SCALE:	NTS	APRVD BY:	JD
UNIT:	mm [INCH]		Ⓟ