

W48M- [X] [X] [X] [X] [XX]

SWITCH FUNCTION CODE	SWITCH FUNCTION DESCRIPTION
1	MECHANICAL, MOMENTARY, SOLDER TERMINAL
2	MECHANICAL, MAINTAINED, SOLDER TERMINAL
5	MECHANICAL, MOMENTARY, P.C. TERMINAL
6	MECHANICAL, MAINTAINED, P.C. TERMINAL
A	MACHANICAL, MOMENTARY, WIRELEADS
B	MACHANICAL, MAINATINED, WIRELEADS

HOUSING MATERIAL CODE	HOUSING DECSRIPTION
1	STAINLESS STEEL
2	ZINC ALLOY, CHROME PLATED

ILLU. TYPE CODE	ILLUMINATION TYPE DESCRIPTION
0	NON-ILLUMINATION
1	CENTER SPOT ILLUMINATION
2	RING ILLUMINATION
3	POWER/STANDBY SYMBOL ILLUMINATION

LED COLOR CODE	LED COLOR
N	NONE
A	AMBER
R	RED
Y	YELLOW
B	BLUE
G	GREEN
W	WHITE
RB	RED/BLUE
RG	RED/GREEN

LED INLET VOLTAGE CODE		LED INLET VOLTAGE
NON-WIRELEADS	IF BLANK*	(SEE NOTE)
	05	5V
WIRELEADS	IF BLANK*	(SEE NOTE)
	05	5V
	12	12V
	24	24V

**MECHANICAL CHARACTERISTICS:**  
 SWITCH CIRCUITRY: SPST-NO-DB (CONTACT FORM X)  
 SWITCH ACTION: MOMENTARY AND MAINTAINED (PER CHART)  
 BUTTON TRAVEL: 2.3mm [.090] NOMINAL  
 OPERATING FORCE: 306g [3N] NOMINAL  
 CONTACT BOUNCE: 1ms NOMINAL  
 PANEL THICKNESS: 0.5 - 4.5mm [.020 - .177]  
 CONTACTS: GOLD PLATED  
 NUT TORQUE FORCE: MAX11.5 kgf-cm [ 10 LB-in]

**ENVIROMENTAL SPECIFICATIONS:**  
 ACTUATOR INGRESS PROTECTION: IP67

**OPERATING TEMPERATURE:**  
 NON-ILLUMINATION TYPE: -40°C to +85°C [-40°F to +185°F]  
 ILLUMINATION TYPE: -40°C to +85°C [-40°F to +185°F]

**ELECTRICAL SPECIFICATIONS:**  
 CURRENT RATING:  
 MOMENTARY: 250mA@12VDC, 100K cycles  
 150mA@28VDC, 150K cycles  
 100mA@48VDC, 100K cycles  
 10mA@12VDC, 1,000K cycles

MAINTAINED : 50,000 CYCLES NOMINAL

DIELECTRIC STRENGTH: 1,000VAC  
 INSULATION RESISTANCE: 1G OHM  
 CONTACT RESISTANCE:  
 50m OHMS MAX INITIAL(NON-WIRELEADS)  
 250m OHMS MAX INITIAL(WIRELEADS)

**LED SPECIFICATIONS:**  
 SEE LED SPECIFICATION

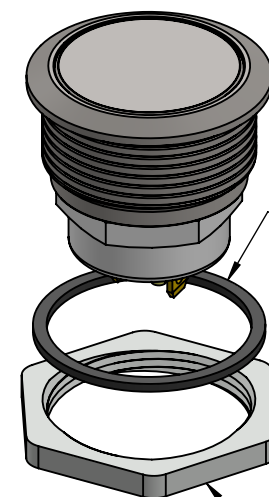
**NOTE**  
 1. CURRENT LIMITING RESISTOR IS REQUIRED TO LIMIT LED FORWARD CURRENT TO 20mA  
 2. SUPPLY HEX NUT AND SEALING WASHER BULK PACKED.  
 3. INNER RESISTOR ONLY FOR LED :RED / BLUE / GREEN / WHITE.

LED SPECIFICATION					
LED CODE	LED SINGLE COLOR	Vf(VDC)	If (mA)	CIRCUITRY	
		TYP.			
R	RED	2.0	20		
A	AMBER	2.0	20		
Y	YELLOW	2.0	20		
G	GREEN	3.0	20		
B	BLUE	3.1	20		
W	WHITE	3.3	20		
LED CODE	BICOLOR LED		Vf(VDC)		If (mA)
	COLOR1	COLOR2	TYP.		
RB	RED	BLUE	2.0(RED) 3.3(BLUE)	20	
RG	RED	GREEN	2.0(RED) 3.4(GREEN)	20	

NOTE:  
 Hand Soldering Temperature (4mm above from Body) : 320°C for 3 seconds

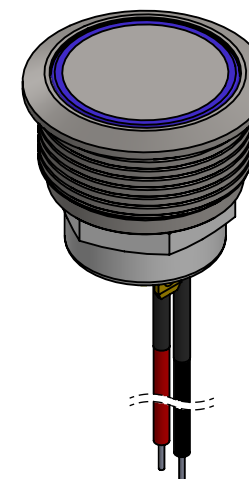
WIRELEADS SPECIFICATION					
WIRELEADS TYPE	WIRELEADS SPECIFICATION	SW TERMINAL		LED	
		/	O	+	-
ILLUMINATION	AWG26 / UL1007	BLUE	BLUE	RED	BLACK
NON-ILLUMINATION		BLUE	BLUE	--	--

NON-ILLUMINATION TYPE

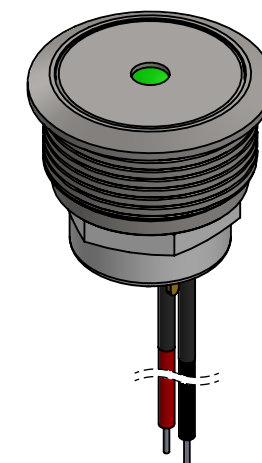


SPECIAL HEX NUT  
 HEX 22.1, M19\*P1.0  
 T=2.2  
 (SUPPLIED IN BULK)

RING ILLUMINATION TYPE



CENTER SPOT ILLUMINATION



DWG TYPE SALES DRAWING	DRAWN <i>K.Y.</i>	TOLERANCES: UNLESS OTHERWISE NOTED X.X ± 0.5 X.XX ± 0.25 ANGULAR ± 5°	DWG TITLE W48M-MECHANICAL MOMENTARY/MAINTAIN, NONE/CENTER SPOT/ POWER STANDBY SYMBOL ILLUMINATION
STATUS RELEASE	REVIEW	THIRD ANGLE PROJECTION 	DWG NO. W48M-1,2,5,6,A,B
<small>This document is the intellectual property of ITW Electronic Business Asia Co., Limited and may contain confidential, proprietary, privileged information protected by law. Neither this document nor any information it contains can be reproduced, transformed to any other format, or distributed, without written permission by ITW Electronic Business Asia Co., Limited.                  本文件為安達維百電股份有限公司之智慧財產，非經許可不得翻取、複製、轉變成其他形式使用或散佈</small>		DATE 2017/8/26	REF: 48M-1,2,5,6,A,B



<input checked="" type="checkbox"/> 管制文件 <input type="checkbox"/> 非管制文件	Unit mm	SCALE 3:2	REV 7
--	------------	--------------	----------

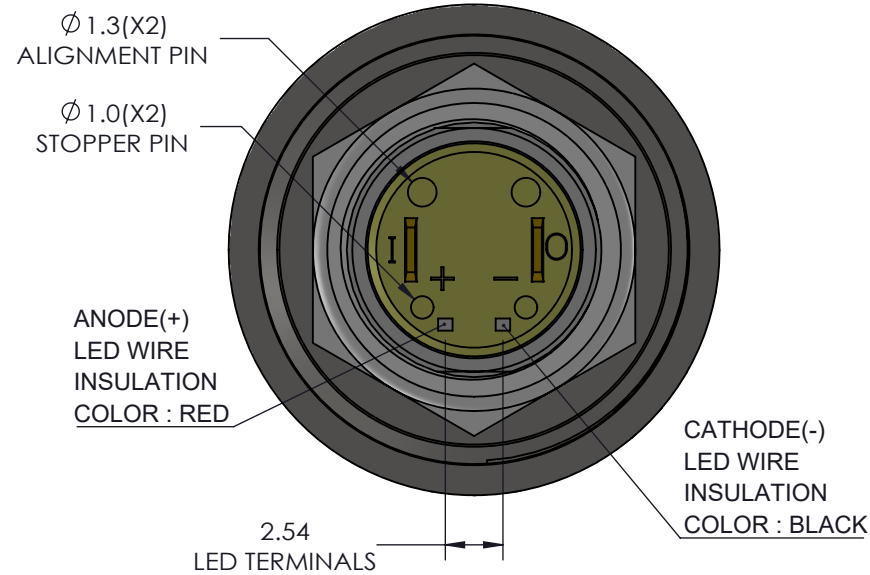
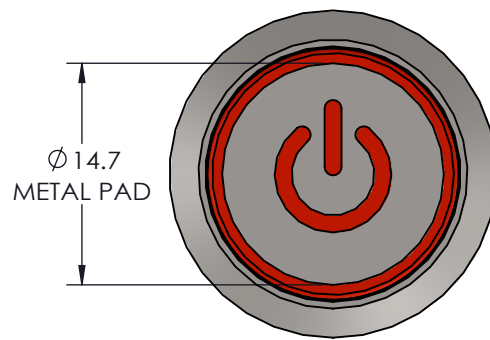
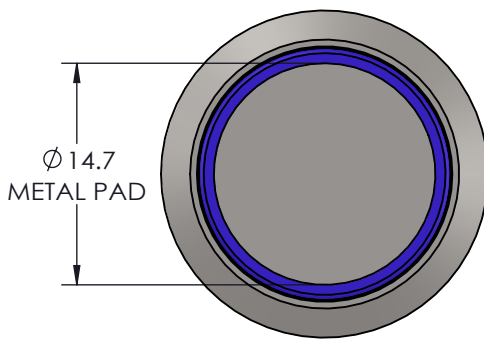
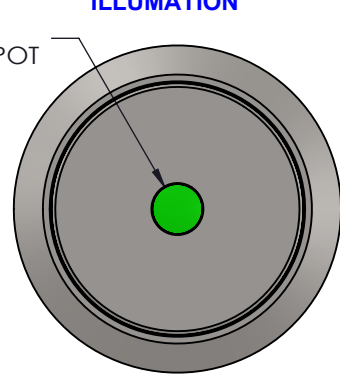
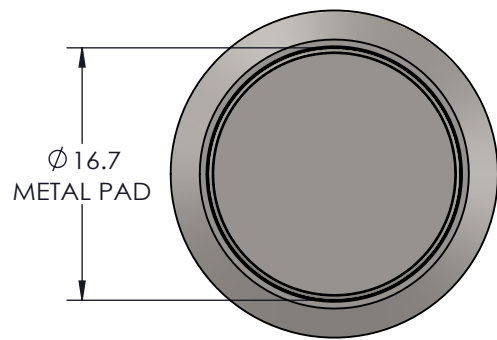
RoHS Compliant SHEET 1 OF 3

NONE ILLUMINATION

CENTER SPOT ILLUMINATION

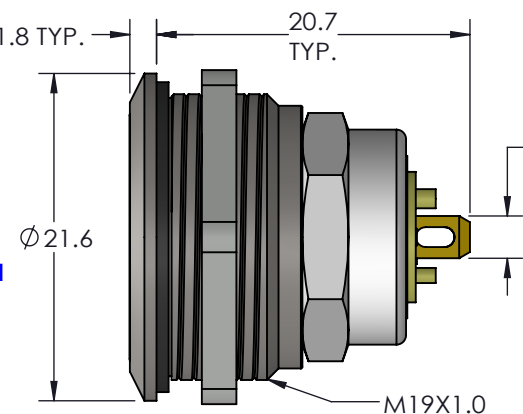
RING ILLUMINATION

POWER/STANBY SYMBOL ILLUMINATION

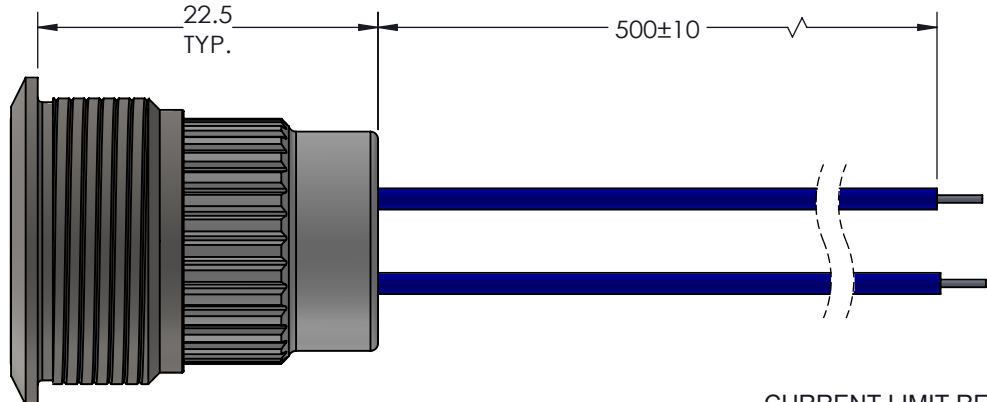


DETAIL FOR TERMINAL POSITION

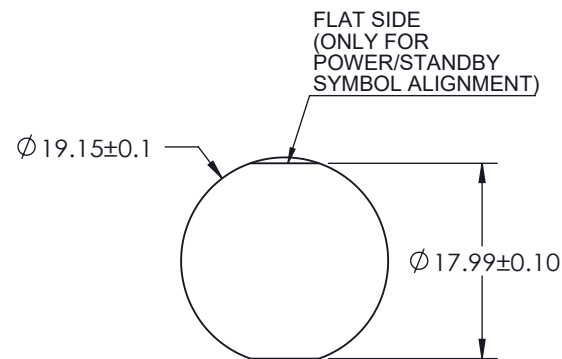
SOLDER TERMINAL NONE ILLUMINATION



NON-ILLUMINATION WIRELEADS

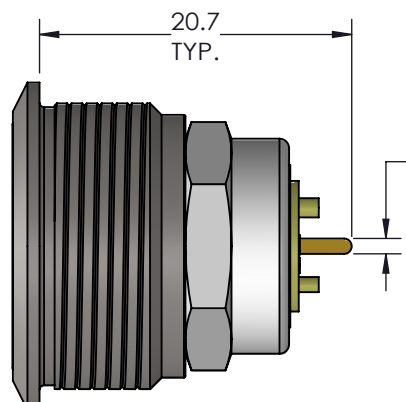


CURRENT LIMIT RESISTOR ONLY FOR:  
1. 5 VDC REQUIRES ONE EXTERNAL RESISTOR:  
A/Y/RB/RG LED SUPPLY  
2. 12 VDC, 24 VDC LED SUPPLY

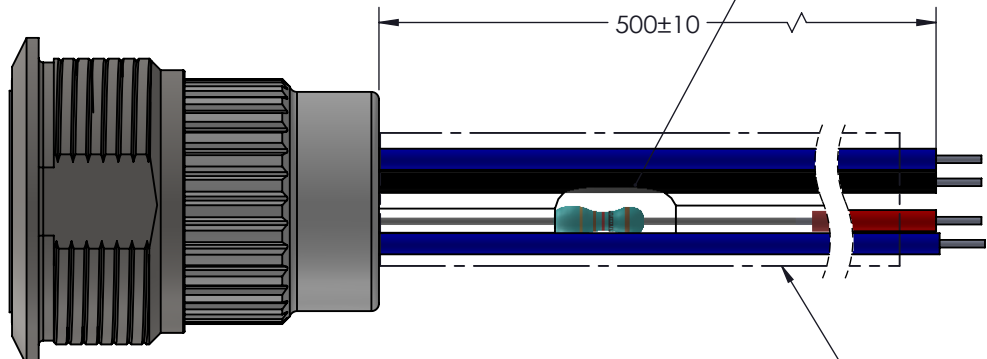


RECOMMENDED PANEL CUT-OUT

PC TERMINAL NONE ILLUMINATION

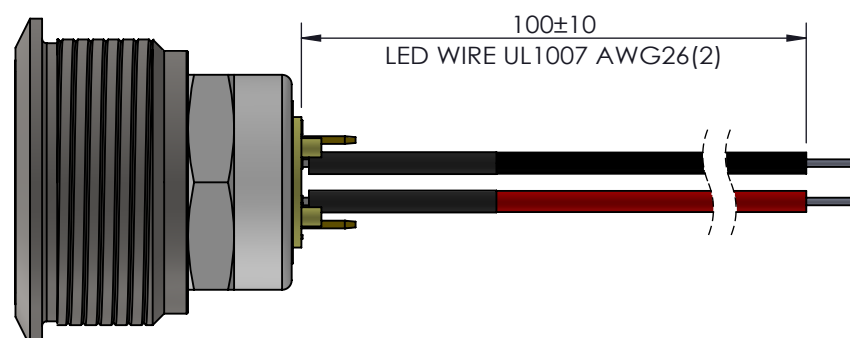


ILLUMINATION WIRELEADS



THE DOTTED LINE MEANS PVC COVER WHEN 5V, 12V, 24V EXTERNAL RESISTORS ARE ADDED.

ILLUMINATION TYPE



DWG TYPE SALES DRAWING	DRAWN <i>K.Y.</i>	TOLERANCES: UNLESS OTHERWISE NOTED X.X ± 0.5 X.XX ± 0.25 ANGULAR ± 5°	DWG TITLE W48M-MECHANICAL MOMENTARY/MAINTAIN, NONE/CENTER SPOT/ POWER STANDBY SYMBOL ILLUMINATION							
STATUS RELEASE	REVIEW	THIRD ANGLE PROJECTION 	DWG NO. W48M-1,2,5,6,A,B							
<small>This document is the intellectual property of ITW Electronic Business Asia Co., Limited and may contain confidential, proprietary, privileged information protected by law. Neither this document nor any information it contains can be reproduced, transformed to any other format, or distributed, without written permission by ITW Electronic Business Asia Co., Limited. 本文作為安達維百電股份有限公司之智慧財產，非經許可不得翻取、複製、轉變成其他形式使用或散佈。</small>			DATE 2017/8/26	REF: 48M-1,2,5,6,A,B	<input checked="" type="checkbox"/> 管制文件 <input type="checkbox"/> 非管制文件	Unit mm	SCALE 3:2	REV 7	RoHS Compliant	SHEET 2 OF 3