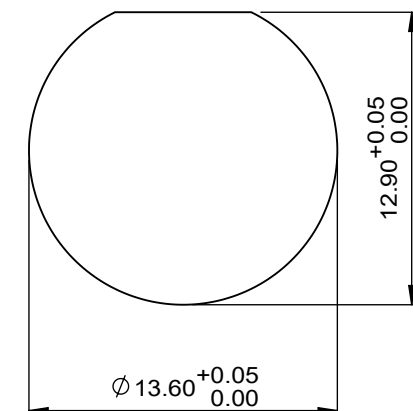
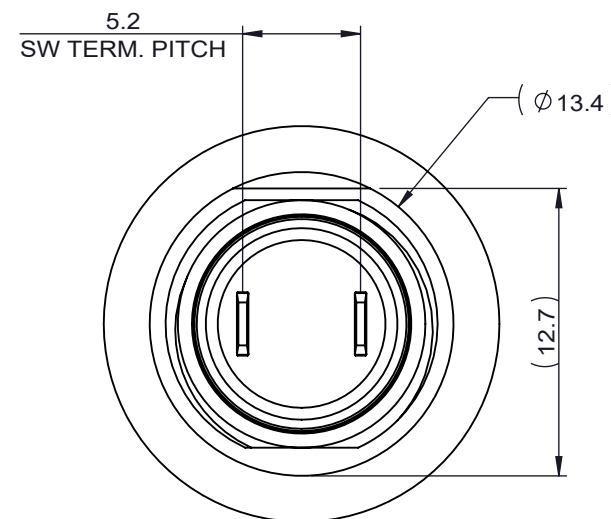
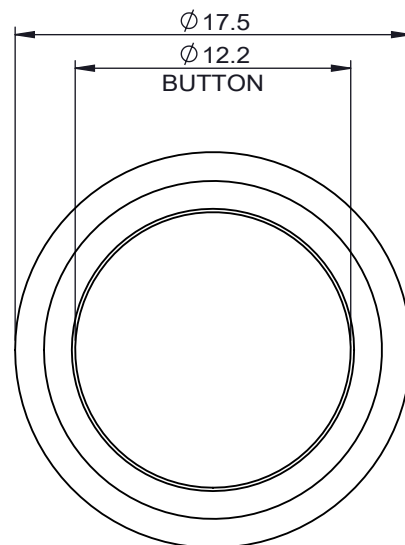


W49- 11 X

BUTTON CODE	BUTTON COLOR DESCRIPTION
1	BLACK
2	RED
3	GREEN
4	WHITE
5	YELLOW
6	BLUE
7	ORANGE



RECOMMENED PANLE CUT-OUT

MECHANICAL CHARACTERISTICS:

SWITCH CIRCUITRY: SPST-NO-DB
 SWITCH ACTION: MOMENTARY
 BUTTON TRAVEL: 2.3mm NOMINAL
 OPERATING FORCE: 306g [3N] NOMINAL
 PANEL THICKNESS: 1.5 - 3.0mm
 CONTACTS: GOLD PLATED
 LIFE(MECHANICAL): 1000K CYCLES
 NUT TORQUE FORCE: MAX 6 kgf-cm

ENVIRONMENTAL SPECIFICATIONS:

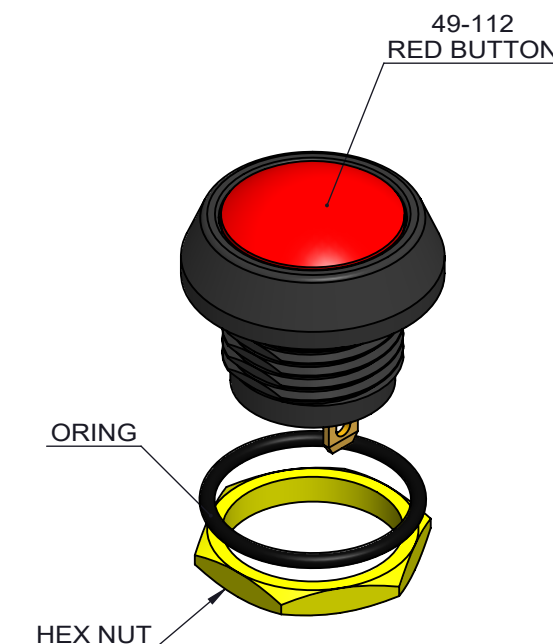
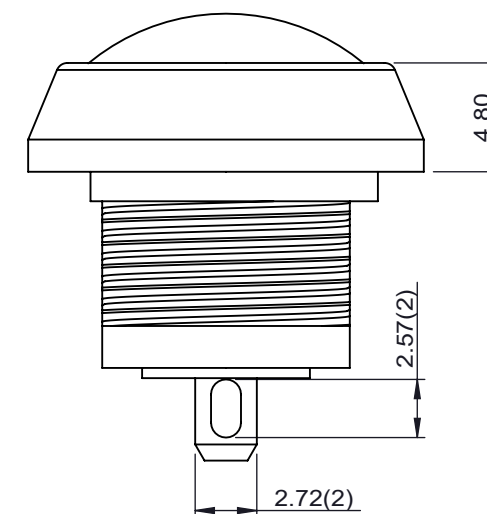
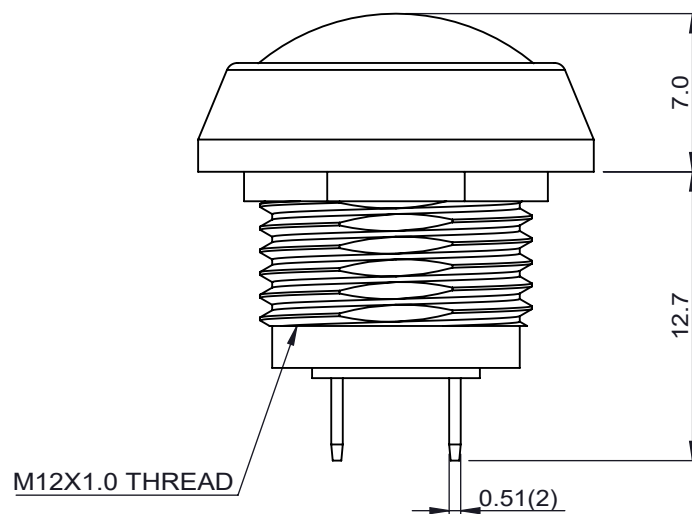
ACTUATOR INGRESS PROTECTION: IP67
 OPERATING TEMPERATURE: -20°C to +85°C

ELECTRICAL SPECIFICATIONS:

SWITCHING POWER(max): 16 VA AC
 CURRENT RATINGS: 400mA@32VAC, 500K CYCLES NOMINAL
 125mA@125VAC, 500K CYCLES NOMINAL
 100mA@50VDC, 500K CYCLES NOMINAL
 DIELECTRIC STRENGTH: 1,000VAC
 INSULATION RESISTANCE: 1G OHM
 CONTACT RESISTANCE: 50m OHMS MAX INITIA

NOTE:

1. SUPPLY HEX NET AND SEALING O-RING BULK IN PACKED



DWG TYPE SALES DRAWING	DRAWN <i>K.Y.</i>	TOLERANCES: UNLESS OTHERWISE NOTED X.X ± 0.5 X.XX ± 0.25 ANGULAR ± 5°	DWG TITLE W49- SERIES ,MECHANICAL MOMENTARY							
STATUS RELEASE	REVIEW <i>v.w.</i>	THIRD ANGLE PROJECTION 	DWG NO. W49-11X							
<small>This document is the intellectual property of ITW Electronic Business Asia Co., Limited and may contain confidential, proprietary, privileged information protected by law. Neither this document nor any information it contains can be reproduced, transformed to any other format, or distributed, without written permission by ITW Electronic Business Asia Co., Limited. 本文作為安達維百電股份有限公司之智慧財產，非經許可不得翻取、複製、轉變成其他形式使用或散佈。</small>			DATE 2021/6/7	REF: 49-11X(L)	<input checked="" type="checkbox"/> 管制文件 <input type="checkbox"/> 非管制文件	Unit mm	SCALE -	REV 1	RoHS Compliant	SHEET 1 OF 2

REVISION RECORD

REV.	DESCRIPTION	DATE	DRAWN BY	DOCUMENT NO.
1	1. REORGANIZE 49-11X DRAWING INTO EBA SYSTEM.(FROM 49-11X_Rev.L)	2021/6/7	K.Y.	DCN-202100045

DWG TYPE SALES DRAWING	DRAWN <i>K.Y.</i>	TOLERANCES: UNLESS OTHERWISE NOTED X.X ± 0.5 X.XX ± 0.25 ANGULAR ± 5°	DWG TITLE W49- SERIES ,MECHANICAL MOMENTARY							
STATUS RELEASE	REVIEW <i>V.W.</i>		DWG NO. W49-11X							
<small>This document is the intellectual property of ITW Electronic Business Asia Co., Limited and may contain confidential, proprietary, privileged information protected by law. Neither this document nor any information it contains can be reproduced, transformed to any other format, or distributed, without written permission by ITW Electronic Business Asia Co., Limited. 本文件為安天德百電股份有限公司之智權財產，非經許可不得翻印、複製、轉變成其他形式使用或散佈</small>		APPROVED <i>V.W.</i>	THIRD ANGLE PROJECTION 	REF: 49-11X(L)	<input checked="" type="checkbox"/> 管制文件 <input type="checkbox"/> 非管制文件		Unit mm	SCALE -	REV 1	RoHS Compliant