

W88 - ① ② ③ ④ ⑤

SWITCH FUNCTION CODE	SWITCH FUNCTION DESCRIPTION	BUTTON TYPE CODE	BUTTON DESCRIPTION	ILLU. TYPE CODE	ILLUMINATION TYPE DESCRIPTION	LED COLOR CODE	LED COLOR	LED INLET VOLTAGE		
								NON-WIRELEADS	IF BLANK	IF BLANK
1	MECHANICAL, MOMENTARY, SOLDER TERMINAL	1	ZINC ALLOY, VELOUR CHROME PLATED	0	NON-ILLUMINATION	N	NONE			
A	MACHANICAL, MOMENTARY, WIRELEADS	2	ZINC ALLOY, MIRROR BLACK	2	RING ILLUMINATION	G	GREEN		05	5V (SEE NOTE) ^③
		② 3	MATT BLACK	3	POWER/STANDBY SYMBOL ILLUMINATION	R	RED		05	5V (SEE NOTE) ^③
		4	STAINLESS STEEL, NATURAL	9	CENTER SPOT ILLUMINATION (RESET)	A	AMBER		12	12V
						B	BLUE		24	24V
						W	WHITE			
						Y	YELLOW			
						RB	RED/BLUE	NOTE: INNER RESISTOR ONLY FOR LED 5V ^③		
						RG	RED/GREEN	COLOR: RED / BLUE / GREEN / WHITE		

④
1. VELOUR CHROME / MATT BLACK / STAINLESS STEEL BUTTON SUPPLY FOR: NON-LIT. / RING ILL. / POWER ILL.
2. MIRROR BLACK BUTTON SUPPLY FOR: NON-LIT. / "RESET" ILL.

^② **MECHANICAL CHARACTERISTICS:**
SWITCH CIRCUITRY: SPST-NO-DB (CONTACT FORM X)
SWITCH ACTION: MOMENTARY (PER CHART)
OPERATING FORCE: 306g3N [306g] NOMINAL
BUTTON TRAVEL: 1.6mm [.063 inch] NOMINAL
CONTACT BOUNCE: 1ms NOMINAL
PANEL THICKNESS: 3.0mm [.118 inch]
CONTACTS: GOLD PLATED
OPERATING TEMPERATURE: -40 °C to +75 °C

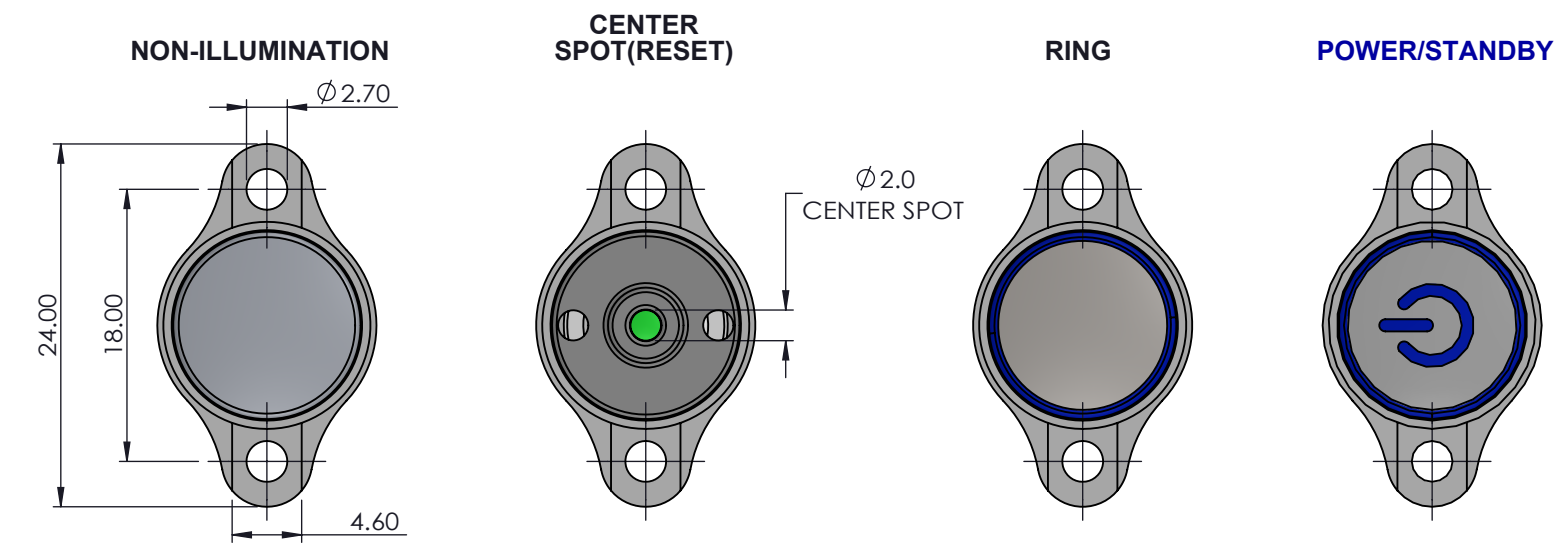
ELECTRICAL SPECIFICATIONS:
CURRENT RATINGS:
MOMENTARY: 250mA@12VDC, 100K cycles
150mA@28VDC, 150K cycles
10mA@12VDC, 1,000K cycles

DIELECTRIC STRENGTH: 1,000VAC
INSULATION RESISTANCE: 1G OHM
CONTACT RESISTANCE: 50m/250m OHMS MAX INITIAL (NON-WIRELEADS/WIRELEADS)

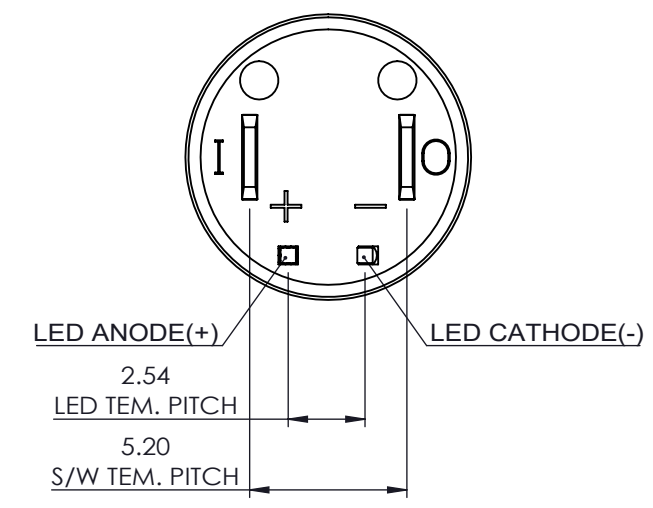
LED SPECIFICATIONS:
SEE LED SPECIFICATION TABLE

WIRELEADS SPECIFICATIONS:
UL1007, AWG 26
S/W WIRELEADS: BLUE CABLE
LED WIRELEADS: SEE LED SPECIFICATION TABLE

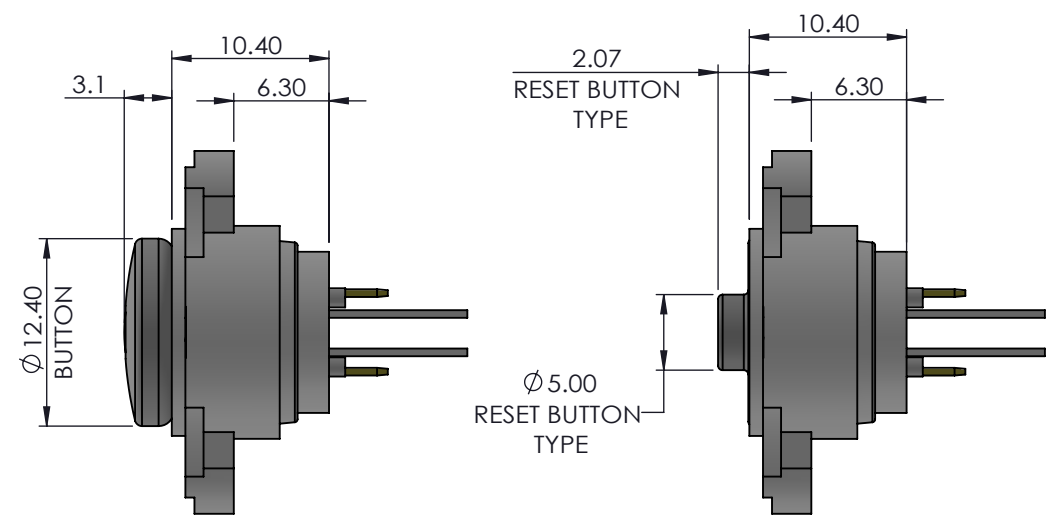
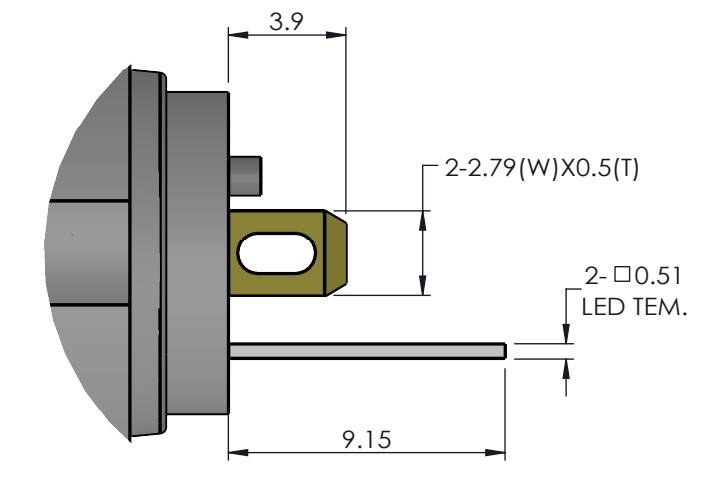
NOTE
1. CURRENT LIMITING RESISTOR IS REQUIRED TO LIMIT LED FORWARD CURRENT TO 20mA



DETAIL TERMINAL POSITION SCALE 4:1

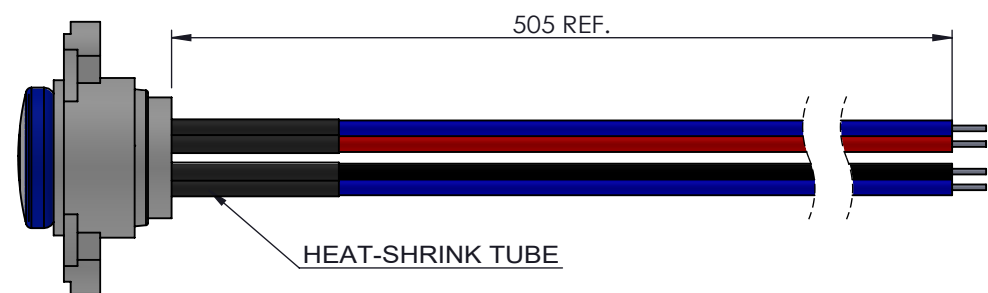


DETAIL FOR DIM. OF SOLDER TERMINAL SCALE 4:1

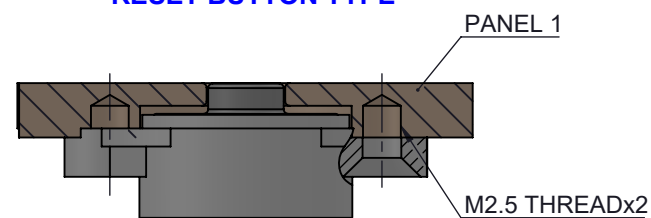


DWG TYPE SALES DRAWING	DRAWN <i>a.h.</i>	TOLERANCES: UNLESS OTHERWISE NOTED X.X ± 0.5 X.XX ± 0.38 ANGULAR ± 5°	DWG TITLE W88 SERIES							
STATUS RELEASE	REVIEW <i>g.y.</i>	THIRD ANGLE PROJECTION 	DWG NO. W88-1,A							
<small>This document is the intellectual property of ITW Electronic Business Asia Co., Limited and may contain confidential, proprietary, privileged information protected by law. Neither this document nor any information it contains can be reproduced, transformed to any other format, or distributed, without written permission by ITW Electronic Business Asia Co., Limited. 本文作為安泰維百電股份有限公司之智慧財產，非經許可不得翻取、複製、轉變成其他形式使用或散佈</small>			DATE 4.JUL.,14	REF: ---	<input checked="" type="checkbox"/> 管制文件 <input type="checkbox"/> 非管制文件	Unit mm	SCALE 2:1	REV 5	RoHS Compliant	SHEET 1 OF 3

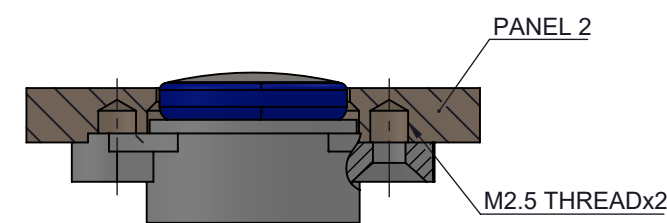
WIRELEADS 
(IF NON LED INLET VOLTAGE OR LED BUILT-IN RESISTOR 5V)



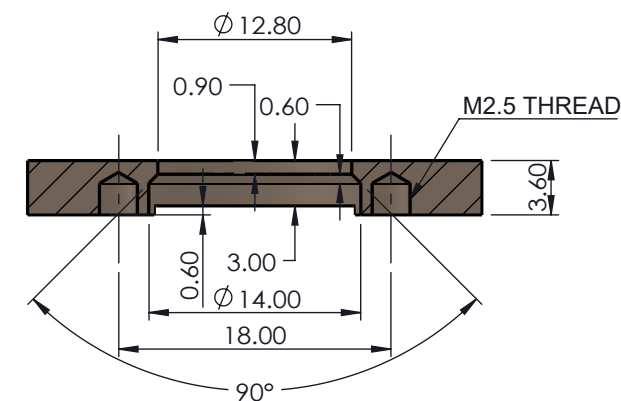
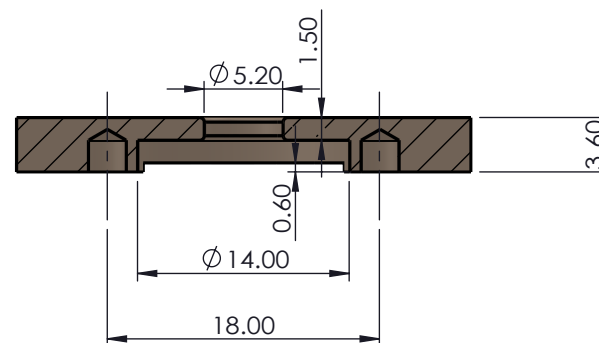
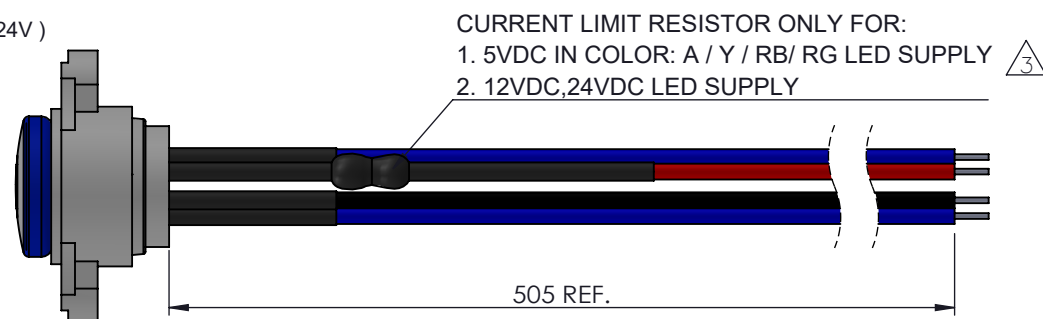
**APPLICATION EXAMPLE(1)
RESET BUTTON TYPE**



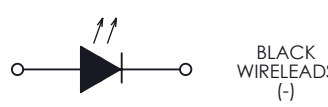
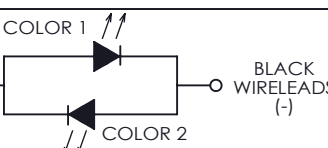
APPLICATION EXAMPLE(2)



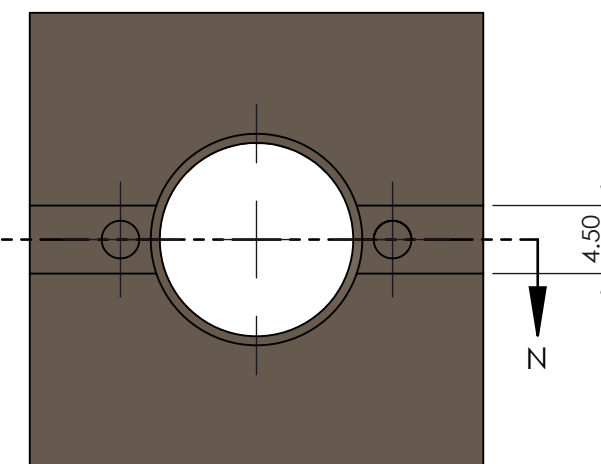
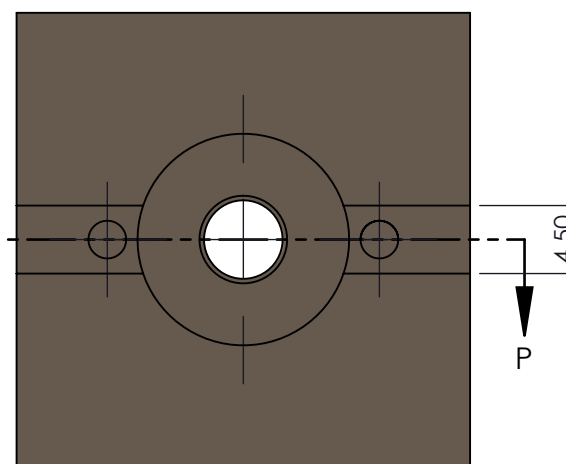
WIRELEADS
(IF LED INLET VOLTAGE :5V/12V/24V)





 LED SPECIFICATION TABLE

LED CODE	LED SINGLE COLOR	Vf(VDC)	If (mA)	CIRCUITRY	
		TYP.			
R	RED	2.0	20		
A	AMBER	2.0	20		
Y	YELLOW	2.0	20		
G	GREEN	3.0	20		
B	BLUE	3.1	20		
W	WHITE	3.3	20		
LED CODE	BICOLOR LED		Vf(VDC)	If (mA)	CIRCUITRY
	COLOR1	COLOR2	TYP.		
RB	RED	BLUE	2.0(RED) 3.3(BLUE)	20	
RG	RED	GREEN	2.0(RED) 3.4(GREEN)	20	

Notes:
Hand Soldering Temperature (4mm above from Body) : 320°C for 3 seconds



DWG TYPE SALES DRAWING	DRAWN <i>a.h.</i>	TOLERANCES: UNLESS OTHERWISE NOTED X.X ± 0.5 X.XX ± 0.38 ANGULAR ± 5°	DWG TITLE W88 SERIES							
STATUS RELEASE	REVIEW <i>g.y.</i>	THIRD ANGLE PROJECTION 	DWG NO. W88-1,A							
<small>This document is the intellectual property of ITW Electronic Business Asia Co., Limited and may contain confidential, proprietary, privileged information protected by law. Neither this document nor any information it contains can be reproduced, transformed to any other format, or distributed, without written permission by ITW Electronic Business Asia Co., Limited. 本文件為安達亞電器股份有限公司之智慧財產，非經許可不得翻取、複製、轉變成其他形式使用或散佈。</small>			DATE 4.JUL.,14	REF: ---	<input checked="" type="checkbox"/> 管制文件 <input type="checkbox"/> 非管制文件	Unit mm	SCALE 2 : 1	REV 5	RoHS Compliant	SHEET 2 OF 3