

W89 - 1 2 3 4 5

SWITCH FUNCTION CODE	SWITCH FUNCTION DESCRIPTION
1	MECHANICAL, MOMENTARY SOLDER TERMINAL
2	MECHANICAL, MAINTAINED SOLDER TERMINAL
5	MECHANICAL, MOMENTARY PC TERMINAL
6	MECHANICAL, MAINTAINED PC TERMINAL
A	MACHANICAL, MOMENTARY WIRELEADS
B	MACHANICAL, MAINTAINED WIRELEADS

BUTTON TYPE CODE	HOUSING DECSRIPTION
1	ZINC ALLOY, VELOUR CHROME PLATED
2	ZINC ALLOY, MIRROR BLACK
3	MATT BLACK
4	STAINLESS STEEL, NATURAL

NOTE :
 1. **MIRROR BLACK BUTTON** SUPPLY FOR NON-LIT. / CENTER SPOT ILL.
 2. **MATT BLACK BUTTON** SUPPLY FOR NON-LIT. / CENTER SPOT ILL. / RING ILL. / POWER/STANDBY ILL.
 3. **STAINLESS STEEL BUTTON** SUPPLY FOR RING NON-LIT. / RING ILL. / POWER/STANDBY ILL.

ILLU. TYPE CODE	ILLUMINATION TYPE DESCRIPTION
0	NON.-ILLUMINATION
1	CENTER SPOT ILLUMINATION
2	RING ILLUMINATION
3	POWER/STANDBY SYMBOL ILLUMINATION

LED COLOR CODE	LED COLOR
N	NONE
G	GREEN
R	RED
A	AMBER
B	BLUE
W	WHITE
Y	YELLOW
RB	RED/BLUE
RG	RED/GREEN

LED INLET VOLTAGE CODE		LED INLET VOLTAGE
NON-WIRELEADS	IF BLANK	(SEE LED SPEC. TABLE)
	05	5V
WIRELEADS	IF BLANK	(SEE LED SPEC. TABLE)
	05	5V
	12	12V
	24	24V



MECHANICAL CHARACTERISTICS:

SWITCH CIRCUITRY: SPST-NO-DB (CONTACT FORM X)
 SWITCH ACTION: MOMENTARY (PER CHART)
 OPERATING FORCE: 306g3N [306g] NOMINAL
 BUTTON TRAVEL: 1.6mm [.063 inch] NOMINAL
 CONTACT BOUNCE: 1ms NOMINAL
 PANEL THICKNESS: 3.0mm[.118 inch]
 CONTACTS: GOLD PLATED
OPERATING TEMPERATURE:
 MOMENTARY: -40 °F to +167 °F [-40 °C to +75 °C]
 MAINTAINED: -40 °F to +148 °F [-40 °C to +65 °C]

ELECTRICAL SPECIFICATIONS:

CURRENT RATINGS:
 MOMENTARY: 250mA@12VDC, 100K cycles
 150mA@28VDC, 150K cycles
 10mA@12VDC, 1,000K cycles

MAINTAINED: 50,000 CYCLES NOMINAL

DIELECTRIC STRENGTH: 1,000VAC
 INSULATION RESISTANCE: 1G OHM
 CONTACT RESISTANCE:
 50m/250m OHMS MAX INITIAL(NON-WIRELEADS/WIRELEADS)

LED SPECIFICATIONS:

SEE LED SPECIFICATION TABLE

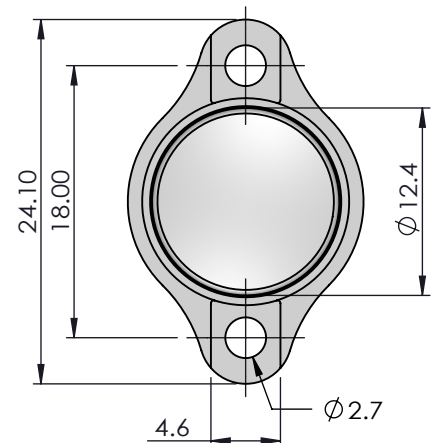
WIRELEADS SPECIFICATIONS:

UL1007, AWG 26
 S/W WIRELEADS: BLUE CABLE
 LED WIRELEADS: SEE LED SPECIFICATION TABLE

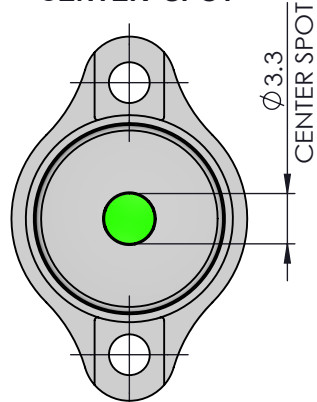
NOTE

1. CURRENT LIMITING RESISTOR IS REQUIRED TO LIMIT LED FORWARD CURRENT TO 20mA

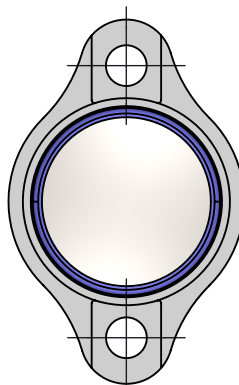
NON-ILLUMINATION



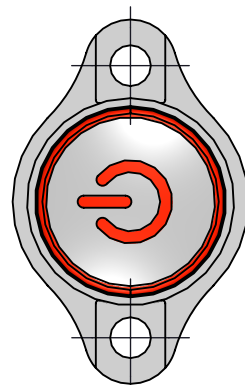
CENTER SPOT



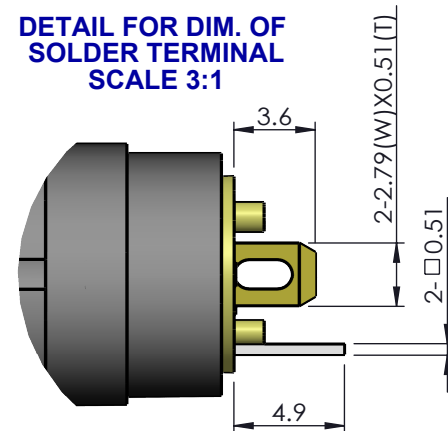
RING



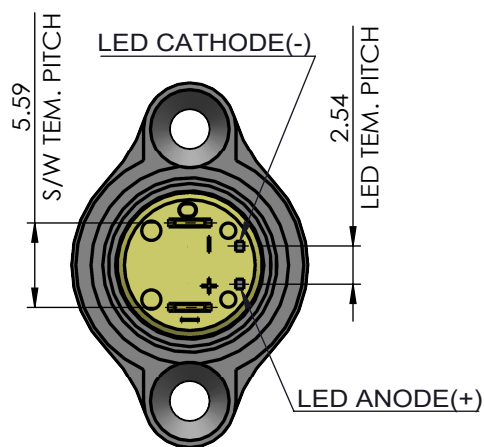
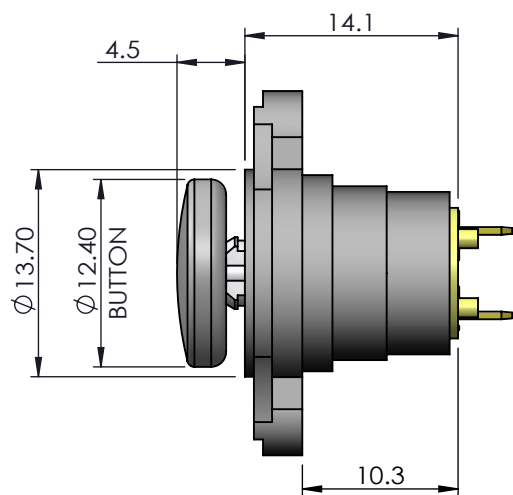
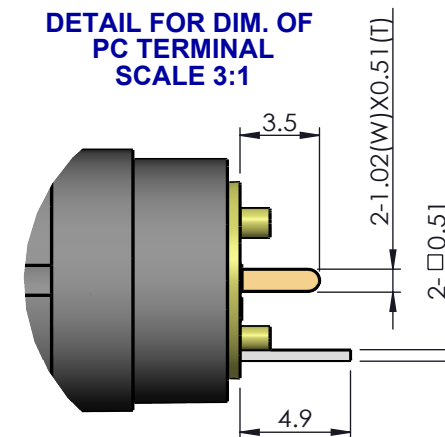
POWER/STANDBY



DETAIL FOR DIM. OF SOLDER TERMINAL SCALE 3:1



DETAIL FOR DIM. OF PC TERMINAL SCALE 3:1

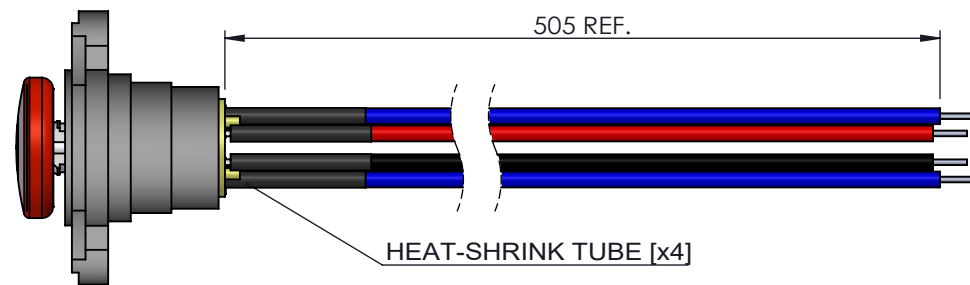


DETAIL TERMINAL POSITION SCALE 2:1

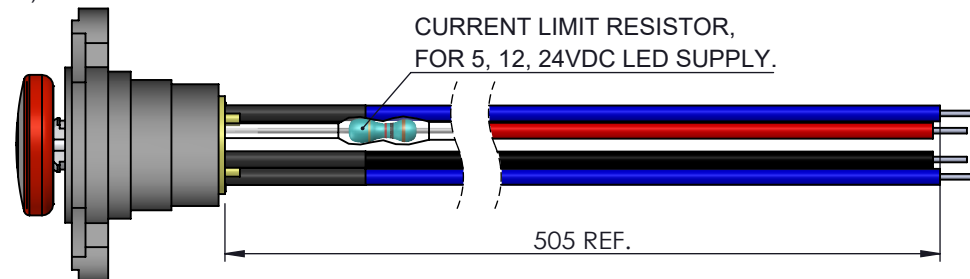
DWG TYPE SALES DRAWING	DRAWN A.H.	TOLERANCES: UNLESS OTHERWISE NOTED X.X ± 0.5 X.XX ± 0.38 ANGULAR ± 5°	DWG TITLE W89 SERIES
STATUS RELEASE	REVIEW G.Y.		DWG NO. W89-1,2,5,6,A,B
This document is the intellectual property of ITW Electronic Business Asia Co., Limited and may contain confidential, proprietary, privileged information protected by law. Neither this document nor any information it contains can be reproduced, transformed to any other format, or distributed, without written permission by ITW Electronic Business Asia Co., Limited. 本文作為安夫維百電器股份有限公司之智慧財產，非經許可不得翻取、複製、轉變成其他形式使用或散佈		THIRD ANGLE PROJECTION 	<input checked="" type="checkbox"/> 管制文件 <input type="checkbox"/> 非管制文件
DATE 4.JUL.,14	APPROVED P.L.	REF: ---	



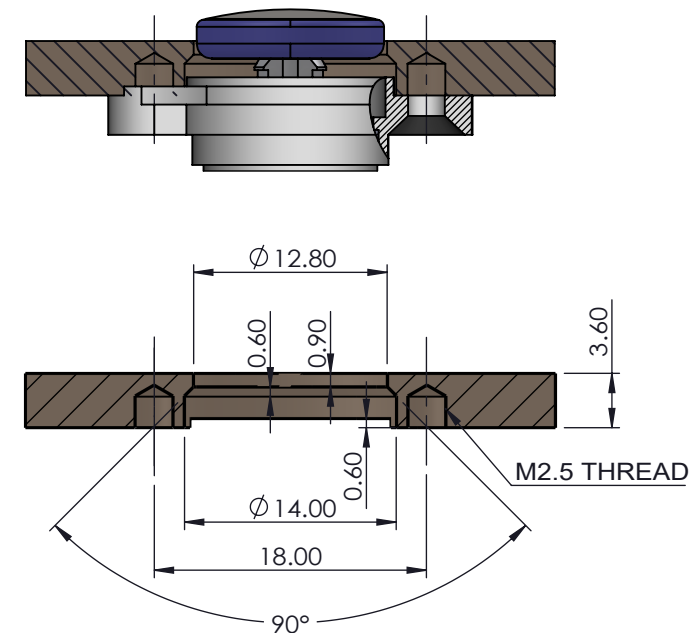
WIRELEADS 
(IF NON LED INLET VOLTAGE OR LED BUILT-IN RESISTOR 5V)



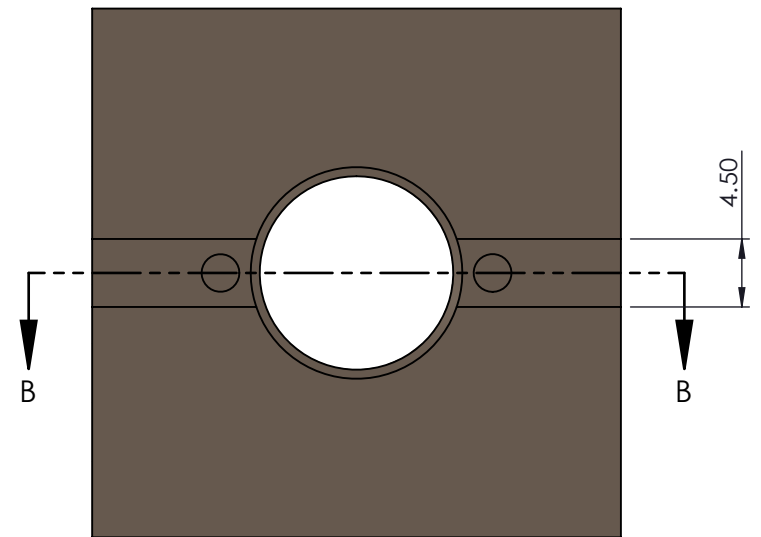
WIRELEADS
(IF LED INLET VOLTAGE :5V/12V/24V)



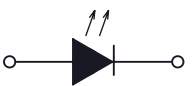
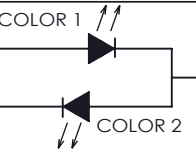
APPLICATION EXAMPLE(1)




SECTION B
SCALE 2 : 1



 LED SPECIFICATION TABLE

LED CODE	LED SINGLE COLOR	Vf(VDC)		If (mA)	CIRCUITRY	
		TYP.				
R	RED	2.0		20		
A	AMBER	2.0				
Y	YELLOW	2.0				
G	GREEN	3.0				
B	BLUE	3.1				
W	WHITE	3.3				
LED CODE	BICOLOR LED		Vf(VDC)		If (mA)	CIRCUITRY
	COLOR1	COLOR2	TYP.			
RB	RED	BLUE	2.0(RED) 3.3(BLUE)	20		
RG	RED	GREEN	2.0(RED) 3.4(GREEN)			

Notes:
Hand Soldering Temperature (4mm above from Body) : 320°C for 3 seconds

DWG TYPE SALES DRAWING	DRAWN <i>a.h.</i>	TOLERANCES: UNLESS OTHERWISE NOTED X.X ± 0.5 X.XX ± 0.38 ANGULAR ± 5°	DWG TITLE W89 SERIES							
STATUS RELEASE	REVIEW <i>g.y.</i>	APPROVED <i>p.l.</i>	DWG NO. W89-1,2,5,6,A,B							
<small>This document is the intellectual property of ITW Electronic Business Asia Co., Limited and may contain confidential, proprietary, privileged information protected by law. Neither this document nor any information it contains can be reproduced, transformed to any other format, or distributed, without written permission by ITW Electronic Business Asia Co., Limited. 本文作為安泰維百電器股份有限公司之智慧財產，非經許可不得翻取、複製、轉變成其他形式使用或散佈。</small>			DATE 4.JUL.,14	REF: ---	<input checked="" type="checkbox"/> 管制文件 <input type="checkbox"/> 非管制文件	Unit mm	SCALE 3:2	REV 3	RoHS Compliant	SHEET 2 OF 3