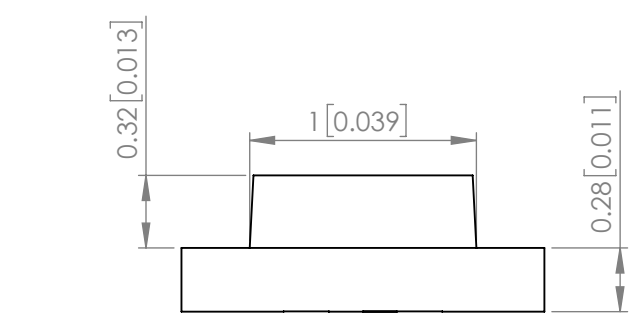
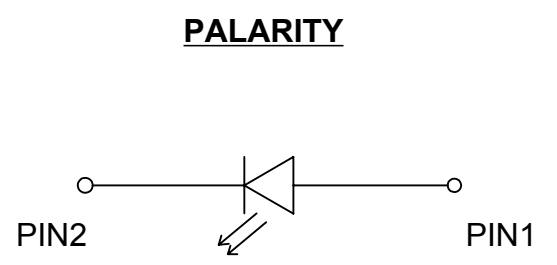
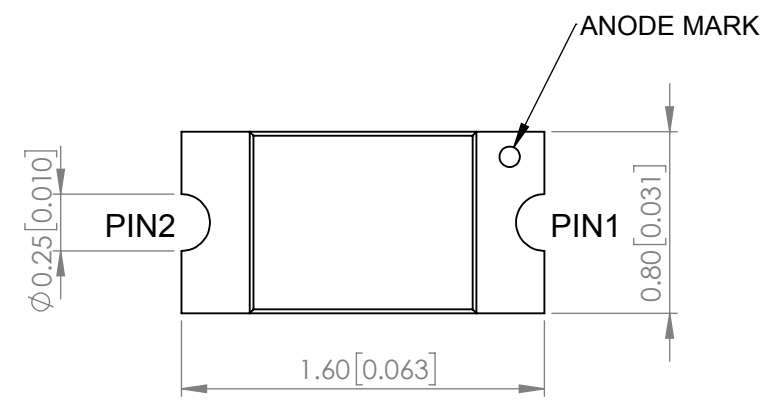
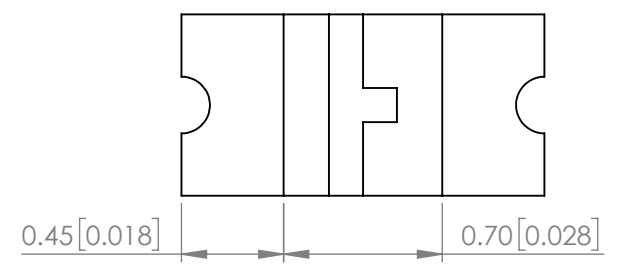
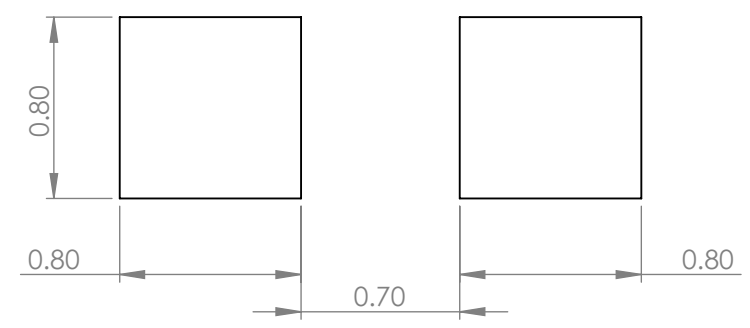


PART NUMBER	SML-LX0603SRW-TR	REV	K
DATA	ECN NUMBER AND REVISION COMMENTS		REV.
09.17.97	ECN # 10BRDR. & REDRAWN		A
09.30.98	ECN # 10644		B
04.30.99	ECN # 10933		C
07.18.00	ECN # 10644		D
12.03.02	ECN # 10933		E
03.14.03	ECN # 10967		F
11.20.03	ECN # 11061		G
12.03.04	ECN # 11148		H
05.27.08	ECN # 11508		I
09.26.11	ECN # 10BRDR		J
03.08.17	ECN-Lumex201700006		K



RECOMMENDED SOLDER PAD LAYOUT



ELECTRO-OPTICAL CHARACTERISTIC TA=25°C

PARAMETER	MIN	TYP	MAX	UNITS	TEST COND
PEAK WAELENGHT		660		nm	If=20mA
FORWARD VOLTAGE		1.7	2.2	Vf	If=20mA
REVERSE VOLTAGE			5	Vr	IR=100uA
LUMINOUS INTENSITY		15		mcd	If=20mA
VIEWING ANGLE		120		2x theta1/2	If=20mA
EMITTED COLOR	RED				
EPOXY LENS FINISH	DIFFUSED				

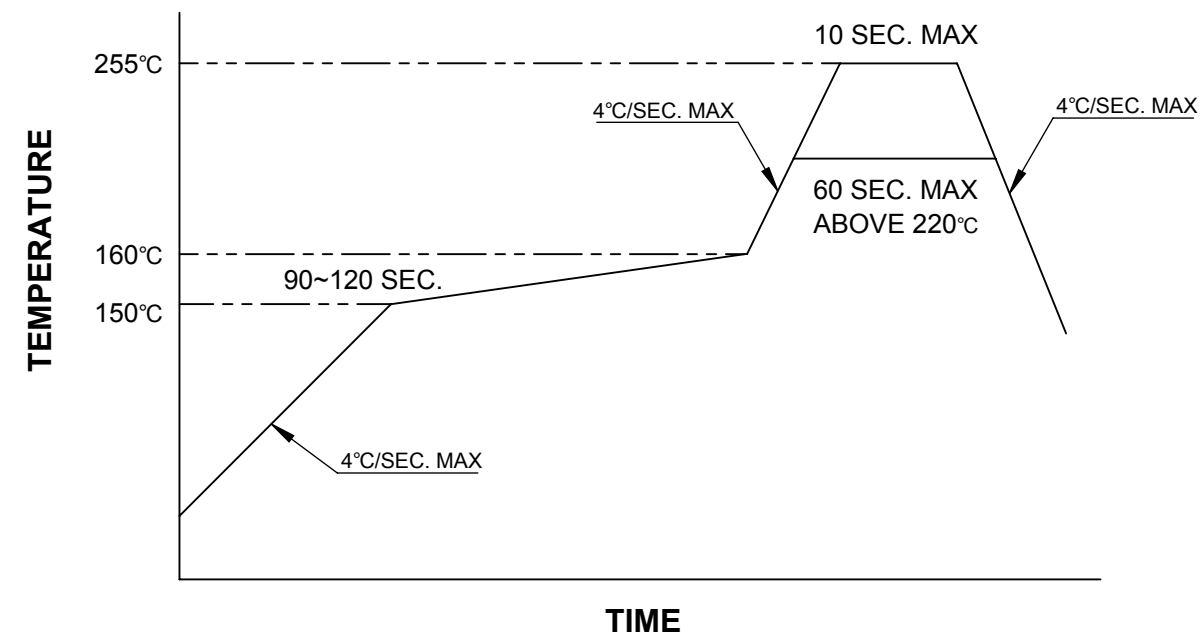
ABSOLUTE MAXIMUM RATINGS TA=25°C

PARAMETER	MAX	UNITS
PEAK FORWARD CURRENT *	40	mA
FORWARD CURRENT	20	mA
POWER DISIPATION	50	mW
STORAGE TEMPERATURE	-40 to +100	°C
OPERATING TEMPERATURE	-40 to +85	°C

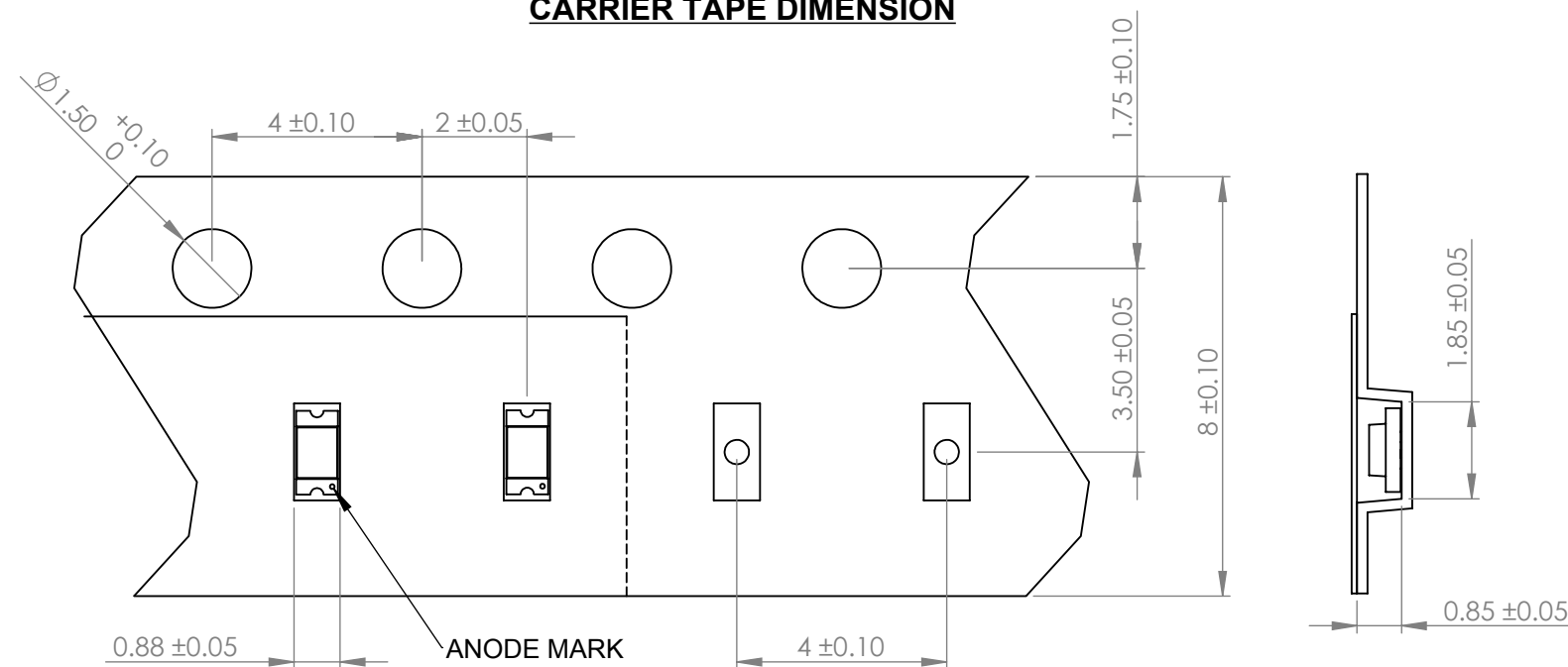
*t<10us

*UNLESS OTHERWISE SPECIFIED TOLERANCES PER DECIMAL PRECISION ARE: X=±1 (±0.039), X.X=±0.5 (±0.020), X.XX=±0.25 (±0.010), X.XXX=±0.127 (±0.005). LEAD SIZE=±0.05 (±0.002), LEAD LENGTH=±0.75 (±0.030). MIN= ^{+DECIMAL PRECISION} / _{-0.00} MAX= ^{+0.00} / _{-DECIMAL PRECISION}

PROFILE



CARRIER TAPE DIMENSION



*UNLESS OTHERWISE SPECIFIED TOLERANCES PER DECIMAL PRECISION ARE: X=±1 (±0.039), X.X=±0.5 (±0.020), X.XX=±0.25 (±0.010), X.XXX=±0.127 (±0.005). LEAD SIZE=±0.05 (±0.002), LEAD LENGTH=±0.75 (±0.030). MIN= ^{+DECIMAL PRECISION}/_{-0.00} MAX= ^{+0.00}/_{-DECIMAL PRECISION}

	N. GARY AVE. CAROL STREAM, IL 60188 PHONE : 800-278-5666 FAX : 630-315-2150 WEB : WWW.LUMEX.COM425	1.6(L)*0.8(W)*0.6(H)mm, SURFACE MOUNT LED, AlGaAs, 660nm RED LED, WHITE DIFFUSED LENS, TAPE & REEL	DATE : 2017.03.08	DRAWN BY : E.C.
		THE SPECIFICATIONS MAY CHANGE AT ANY TIME WITHOUT NOTICE DUE TO NEW MATERIALS OR PRODUCT IMPROVEMENT.	PAGE : 2 OF 2	CHKD BY : G.Y.
		CONFIDENTIAL INFORMATION THE INFORMATION CONTAINED IN THIS DOCUMENT IS THE PROPERTY OF LUMEX INC. EXCEPT AS SPECIFICALLY AUTHORIZED IN WRITING BY LUMEX INC., THE HOLDER OF THIS DOCUMENT SHALL KEEP ALL INFORMATION CONTAINED HEREIN CONFIDENTIAL AND SHALL PROTECT SAME IN WHOLE OR IN PART FROM DISCLOSURE AND DISSEMINATION TO ALL THIRD PARTIES.	SCALE : NTF	APRVD BY : R.C.
			UNIT : mm [INCH]	(Pb)