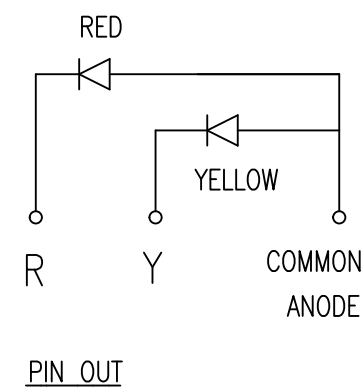
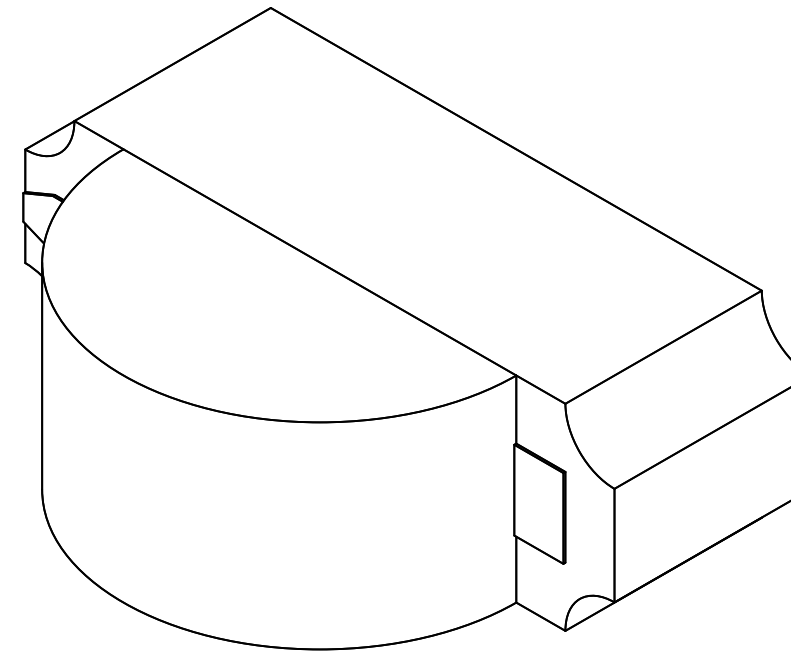
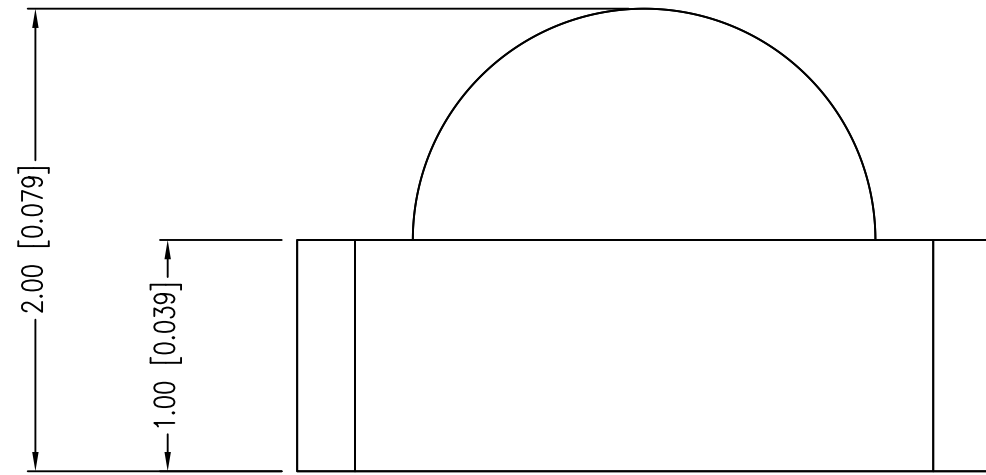
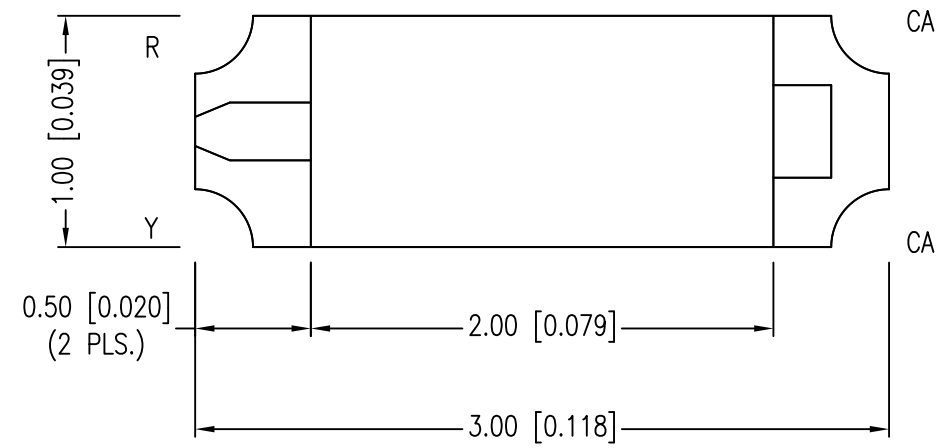


PART NUMBER	SML-LXR851IYC-TR	REV.	D
DATE	E.C.N. NUMBER AND REVISION COMMENTS	REV.	
05.16.02	E.C.N. #10865.	A	
09.07.04	E.C.N. #10967.	B	
05.16.11	E.C.N. #11710/#10BRDR. & REDRAWN.	C	
11.14.18	ECN-Lumex201800168	D	



ELECTRO-OPTICAL CHARACTERISTICS TA =25°C If=20mA

PARAMETER	MIN	TYP.	MAX	UNITS	TEST COND
PEAK WAVELENGTH (R/Y)		635/585		nm	
FORWARD VOLTAGE (R/Y)		2.0/2.1	2.5	Vf	
REVERSE VOLTAGE	5.0			Vr	Ir=100µA
AXIAL INTENSITY		10		mcd	If=20mA
VIEWING ANGLE		160		2x theta 1/2	
EMITTED COLOR:	RED/YELLOW				
EPOXY LENS FINISH:	WATER CLEAR				

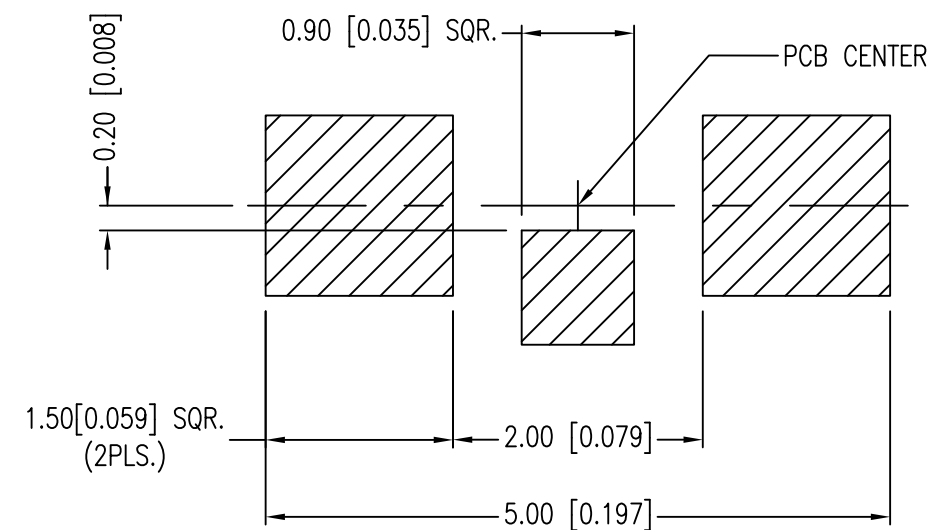
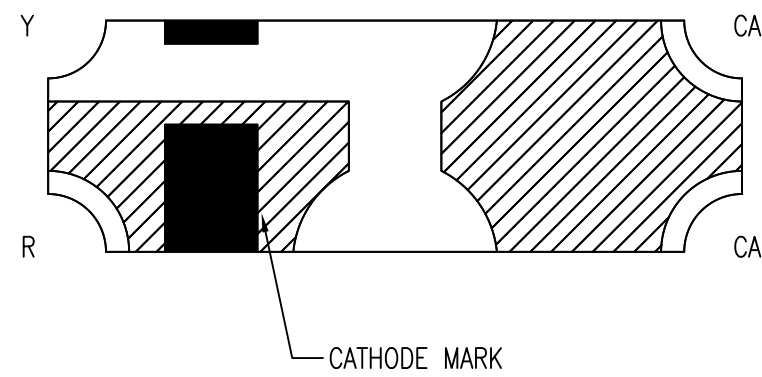
LIMITS OF SAFE OPERATION AT 25°C PER CHIP

PARAMETER	MAX	UNITS
PEAK FORWARD CURRENT*	160	mA
STEADY CURRENT	30	mA
POWER DISSIPATION	100	mW
DERATE FROM 25°C	-1.2	mW/°C
OPERATING TEMP.	-40 TO +85	°C
STORAGE TEMP.	-40 TO +90	°C

* t<10µS

CAUTION: MOISTURE SENSITIVE DEVICE
PER JEDEC LEVEL 3 STANDARDS

RECOMENDED SOLDER PAD LAYOUT



*UNLESS OTHERWISE SPECIFIED TOLERANCES PER DECIMAL PRECISION ARE: X=±1 (±0.039), X.X=±0.5 (±0.020), X.XX=±0.25 (±0.010), X.XXX=±0.127 (±0.005). LEAD SIZE=±0.05 (±0.002), LEAD LENGTH=±0.75 (±0.030). MIN= ^{+0.00}/_{-0.00} DECIMAL PRECISION MAX.= ^{+0.00}/_{-DECIMAL PRECISION}



425 N. GARY AVE.
CAROL STREAM, IL 60188-4900
PHONE: 800-278-5666
FAX: 630-315-2152
WEB: WWW.LUMEX.COM

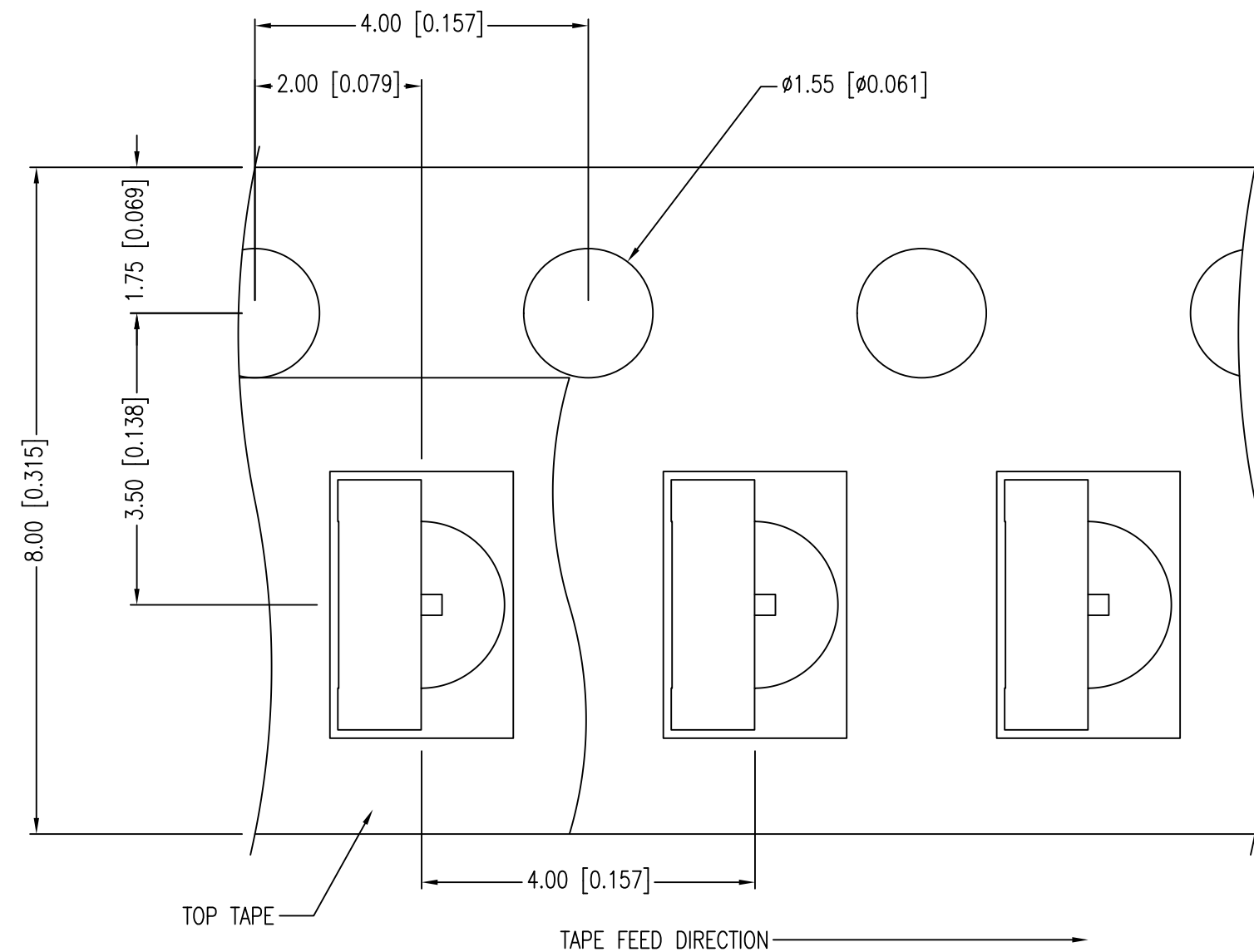
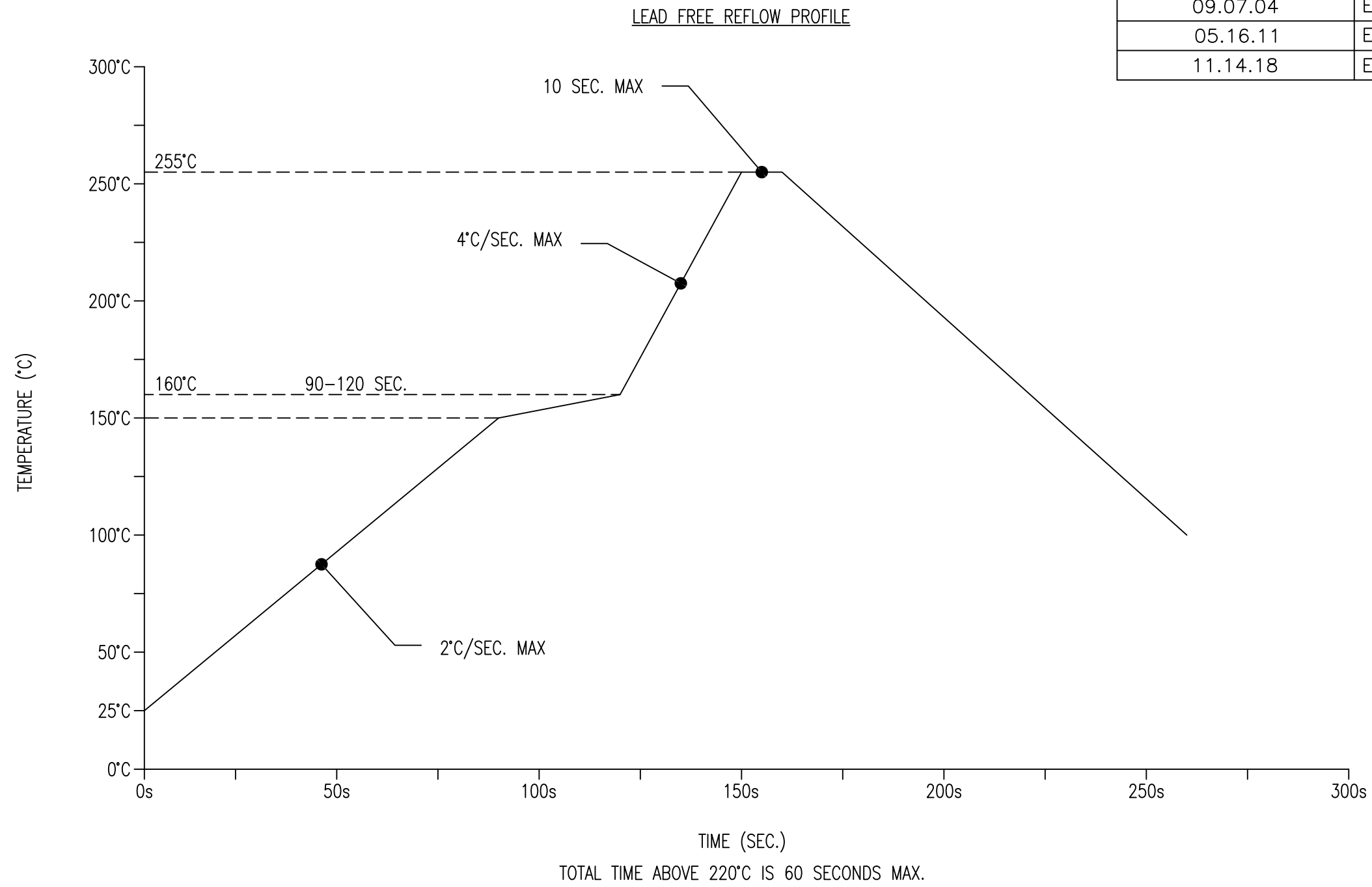
1.0x3.0mm PCB RIGHT ANGLE SURFACE MOUNT LED, 635/565nm RED/YELLOW, WATER CLEAR LENS, TAPE & REEL.

THE SPECIFICATIONS MAY CHANGE AT ANY TIME WITHOUT NOTICE.

CONFIDENTIAL INFORMATION
THE INFORMATION CONTAINED IN THIS DOCUMENT IS THE PROPERTY OF LUMEX INC. EXCEPT AS SPECIFICALLY AUTHORIZED IN WRITING BY LUMEX INC., THE HOLDER OF THIS DOCUMENT SHALL KEEP ALL INFORMATION CONTAINED HEREIN CONFIDENTIAL AND SHALL PROTECT SAME IN WHOLE OR IN PART FROM DISCLOSURE AND DISSEMINATION TO ALL THIRD PARTIES.

DATE:	11.14.18	DRAWN BY:	C.S.
PAGE:	1 OF 2	CHKD BY:	E.C.
SCALE:	NTS	APRVD BY:	G.Y.
UNIT:	mm [INCH]		(Pb)

PART NUMBER	SML-LXR851IYC-TR	REV.	D
DATE	E.C.N. NUMBER AND REVISION COMMENTS	REV.	
05.16.02	E.C.N. #10865.	A	
09.07.04	E.C.N. #10967.	B	
05.16.11	E.C.N. #11710/#10BRDR. & REDRAWN.	C	
11.14.18	ECN-Lumex201800168	D	



- NOTES:**
- 2,000 PER REEL.
 - THE CATHODE IS ORIENTED TOWARDS THE TAPE SPROCKET HOLE.

*UNLESS OTHERWISE SPECIFIED TOLERANCES PER DECIMAL PRECISION ARE: X=±1 (±0.039), X.X=±0.5 (±0.020), X.XX=±0.25 (±0.010), X.XXX=±0.127 (±0.005). LEAD SIZE=±0.05 (±0.002), LEAD LENGTH=±0.75 (±0.030). MIN= $\frac{+DECIMAL PRECISION}{-0.00}$ MAX.= $\frac{+0.00}{-DECIMAL PRECISION}$



425 N. GARY AVE.
 CAROL STREAM, IL 60188-4900
 PHONE: 800-278-5666
 FAX: 630-315-2152
 WEB: WWW.LUMEX.COM

1.0x3.0mm PCB RIGHT ANGLE SURFACE MOUNT LED, 635/565nm RED/YELLOW, WATER CLEAR LENS, TAPE & REEL.

THE SPECIFICATIONS MAY CHANGE AT ANY TIME WITHOUT NOTICE.

CONFIDENTIAL INFORMATION
 THE INFORMATION CONTAINED IN THIS DOCUMENT IS THE PROPERTY OF LUMEX INC. EXCEPT AS SPECIFICALLY AUTHORIZED IN WRITING BY LUMEX INC., THE HOLDER OF THIS DOCUMENT SHALL KEEP ALL INFORMATION CONTAINED HEREIN CONFIDENTIAL AND SHALL PROTECT SAME IN WHOLE OR IN PART FROM DISCLOSURE AND DISSEMINATION TO ALL THIRD PARTIES.

DATE:	11.14.18	DRAWN BY:	C.S.
PAGE:	2 OF 2	CHKD BY:	E.C.
SCALE:	NTS	APRVD BY:	G.Y.
UNIT:	mm [INCH]		