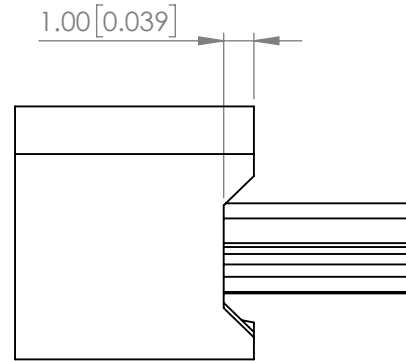
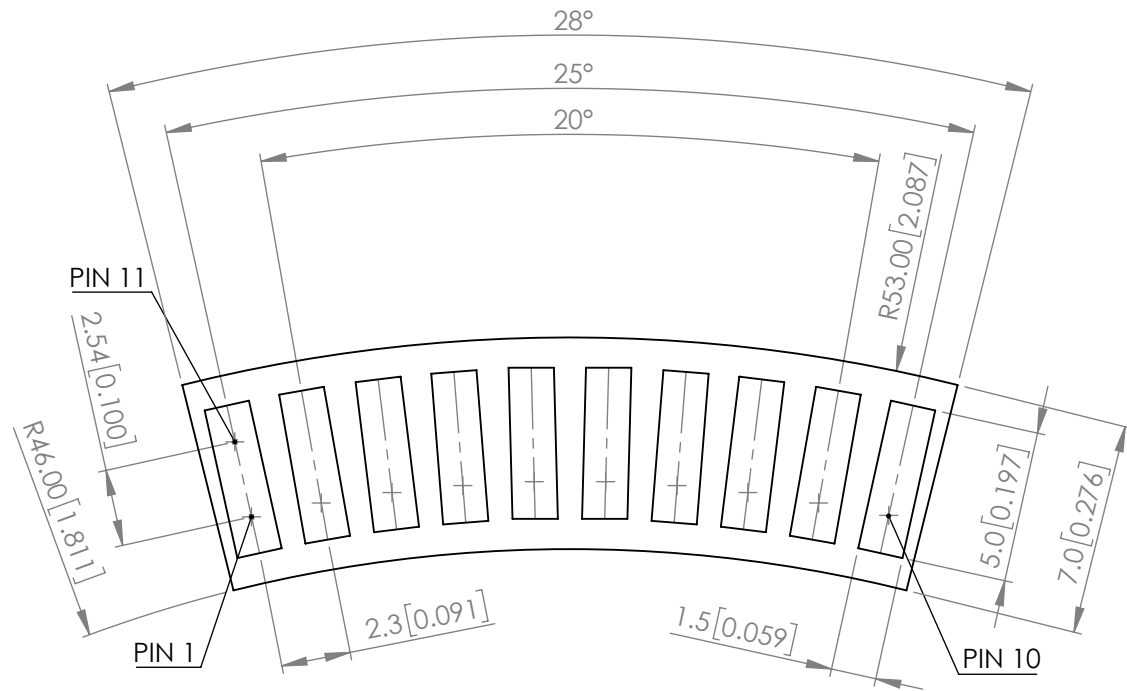
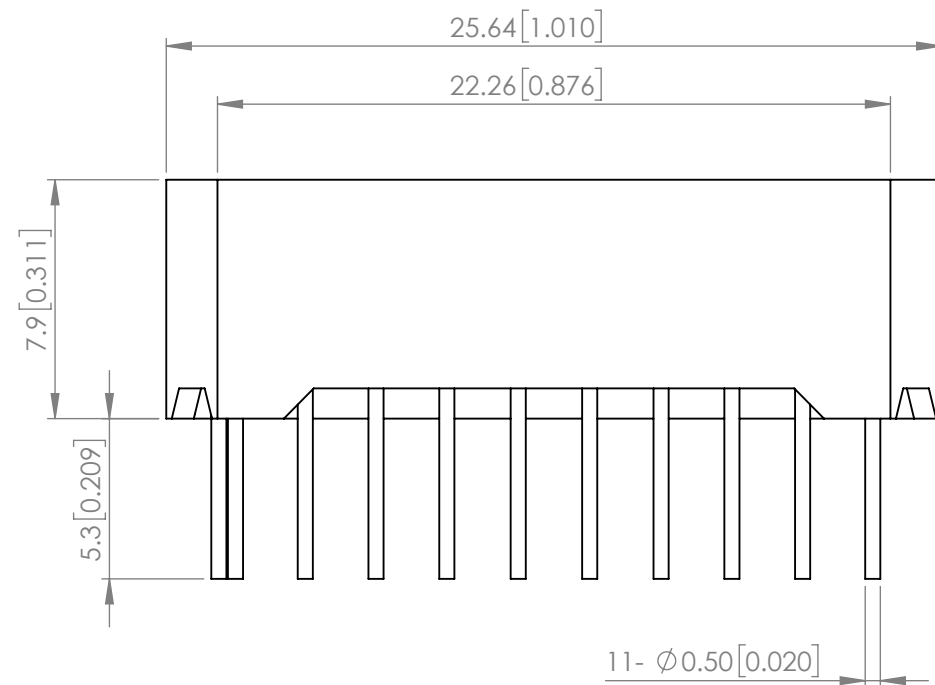


PART NUMBER		SSA-LXB10SUGW-CUR	REV	A
REV	E.C.N. NUMBER AND REVISION COMMENTS		DATE	
A	ECN-Lumex201700036		08.15.17	

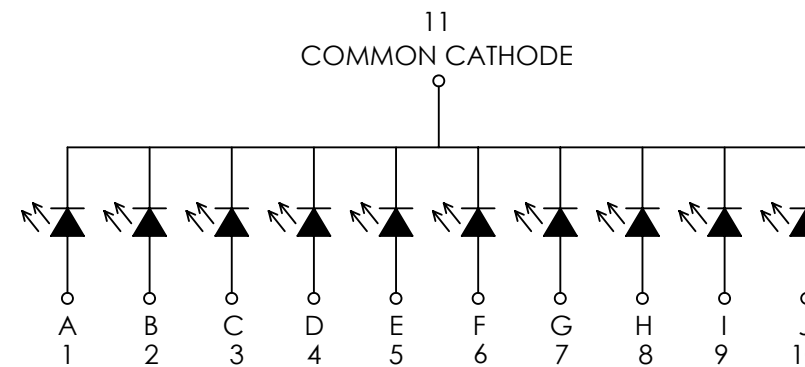


ELECTRO-OPTICAL CHARACTERISTIC TA=25°C PER BAR

PARAMETER	MIN	TYP	MAX	UNITS	TEST COND
PEAK WAELENGHT	-	574	-	nm	If=20mA
FORWARD VOLTAGE	1.8	2.0	2.3	Vf	If=20mA
REVERSE VOLTAGE	-	-	5	Vr	Ir=100uA
LUMINOUS INTENSITY	-	40	-	mcd	If=20mA
VIEWING ANGLE	-	160	-	2x theta1/2	-
EMITTED COLOR	GREEN				
EPOXY LENS FINISH	MILKY WHITE DIFFUSED				
FACE COLOR	BLACK				



POLARITY



ABSOLUTE MAXIMUM RATINGS TA=25°C PER BAR

PARAMETER	MAX	UNITS
PEAK FORWARD CURRENT*	80	mA
FORWARD CURRENT	20	mA
POWER DISIPATION	75	mW
STORAGE TEMPERATURE	-40 TO +85	°C
OPERATING TEMPERATURE	-40 TO +85	°C
SOLDERING TEMPERATURE**	3 SEC. MAX. @260	°C

*t<10us

**AT 2mm DISTANCE FROM THE CASE OF REFLECTOR EDGE.

*UNLESS OTHERWISE SPECIFIED TOLERANCES PER DECIMAL PRECISION ARE: X=±1 (±0.039), X.X=±0.5 (±0.020), X.XX=±0.25 (±0.010), X.XXX=±0.127 (±0.005). LEAD SIZE=±0.05 (±0.002), LEAD LENGTH=±0.75 (±0.030). MIN= ^{+DECIMAL PRECISION}/_{-0.00} MAX= ^{+0.00}/_{-DECIMAL PRECISION}

<p>425 N. GARY AVE. CAROL STREAM, IL 60188 PHONE : 800-278-5666 FAX : 630-315-2150 WEB : WWW.LUMEX.COM</p>	25.64(L)*7(L)*7.9(H)mm, 10 SEGMENT CURVED BAR GRAPH, AlInGaP GREEN, BLACK FACE WITH MILKY WHITE DIFFUSED EPOXY.	DATE : 2017.08.14	DRAWN BY : C.C.	
	THE SPECIFICATIONS MAY CHANGE AT ANY TIME WITHOUT NOTICE DUE TO NEW MATERIALS OR PRODUCT IMPROVEMENT.	PAGE : 1 OF 1	CHKD BY : G.Y.	
	CONFIDENTIAL INFORMATION THE INFORMATION CONTAINED IN THIS DOCUMENT IS THE PROPERTY OF LUMEX INC. EXCEPT AS SPECIFICALLY AUTHORIZED IN WRITING BY LUMEX INC., THE HOLDER OF THIS DOCUMENT SHALL KEEP ALL INFORMATION CONTAINED HEREIN CONFIDENTIAL AND SHALL PROTECT SAME IN WHOLE OR IN PART FROM DISCLOSURE AND DISSEMINATION TO ALL THIRD PARTIES.	SCALE : NTF	APRVD BY : E.C.	
		UNIT : mm [INCH]		