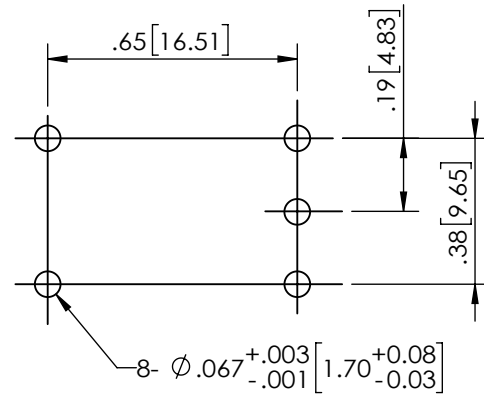
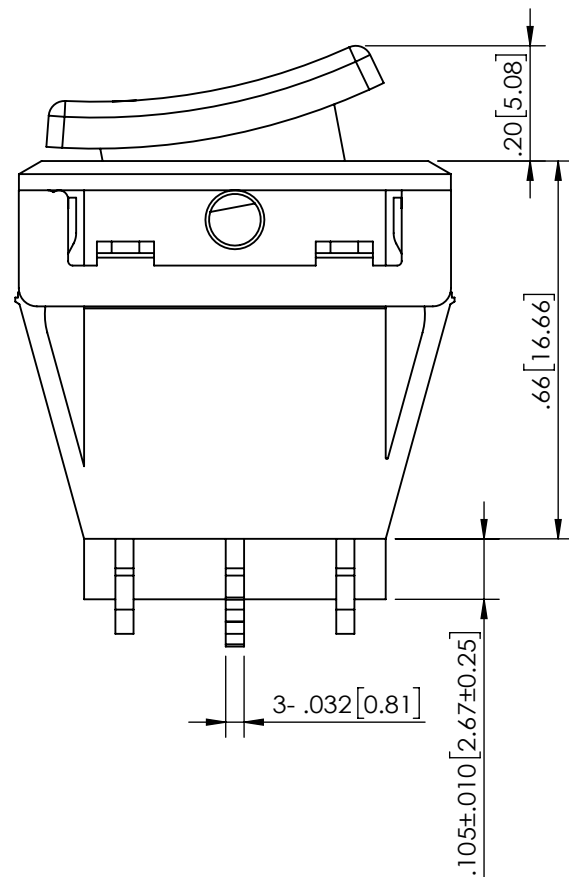
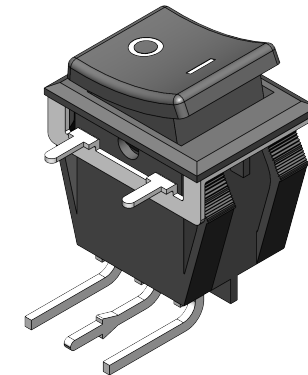
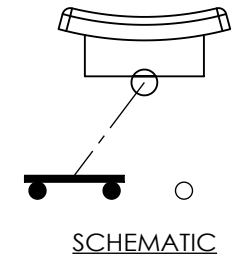


CHARACTERISTICS:

- CONTACT ARRANGEMENT : SPDT MAINTAINED ACTION
- ELECTRICAL RATING :
U.L. RECOGNIZED AND C.S.A. CERTIFIED
5 AMP 125 VAC
3 AMP 250 VAC
- ROCKER AND CASE COLOR : BLACK
ROCKER MARKING COLOR: WHITE
- ACTUATING FORCE : 21 OZ (REF)
USING PISTON SPRING 50-000-102.
- CUSTOMER : ELTRON / ZEBRA TECHNOLOGIES
CUSTOMER P / N : TO BE ASSIGNED



RECOMMENDED PC HOLE PATTERN



DWG TYPE SALES DRAWING	DRAWN <i>e.e.</i>	TOLERANCES: UNLESS OTHERWISE NOTED X.X ± .005 X.XX ± .01 ANGULAR ±5°	DWG TITLE MINI-ROCKER SWITCH					
STATUS RELEASE	REVIEW --		DWG NO. WR271-900-007					
<small>This document is the intellectual property of ITW Electronic Business Asia Co., Limited and may contain confidential, proprietary, privileged information protected by law. Neither this document nor any information it contains can be reproduced, transformed to any other format, or distributed, without written permission by ITW Electronic Business Asia Co., Limited. 本文作為安天維百電器股份有限公司之智慧財產，非經許可不得翻取、複製、轉變成其他形式使用或散佈。</small>	APPROVED <i>v.w.</i>	THIRD ANGLE PROJECTION 	<input checked="" type="checkbox"/> 管制文件 <input type="checkbox"/> 非管制文件	Unit mm	SCALE 2 : 1	REV 1	RoHS Compliant	SHEET 1 OF 2
	REF: ---							

REVISION RECORD

REV	DESCRIPTION	DATE	DRAWN	DOCUMENT NO
1	REDRAWN	2026.03.27	C.C.	DCN-202600013

DWG TYPE SALES DRAWING	DRAWN <i>e.c.</i>	TOLERANCES: UNLESS OTHERWISE NOTED X.X ± .005 X.XX ± .01 ANGULAR ±5°	DWG TITLE MINI-ROCKER SWITCH			
STATUS RELEASE	REVIEW --	<small>THIRD ANGLE PROJECTION</small> 	DWG NO. WR271-900-007			
<small>This document is the intellectual property of ITW Electronic Business Asia Co., Limited and may contain confidential, proprietary, privileged information protected by law. Neither this document nor any information it contains can be reproduced, transformed to any other format, or distributed, without written permission by ITW Electronic Business Asia Co., Limited. 本文件為安天德百電股份有限公司之智權財產，非經許可不得翻印、複製、轉變成其他形式使用或散佈</small>			REF: ---	<input checked="" type="checkbox"/> 管制文件 <input type="checkbox"/> 非管制文件	Unit mm SCALE 2:1 REV 1	