

WSA58M- ① ② ③ ④ ⑤ - ⑥

SWITCH FUNCTION CODE	SWITCH FUNCTION DESCRIPTION
<b>1</b>	MECHANICAL, MOMENTARY, SOLDER TERMINAL
<b>A</b>	MECHANICAL, MOMENTARY, NO/NO WIRELEADS
<b>C</b>	MECHANICAL, MOMENTARY, NC/NC WIRELEADS
<b>E</b>	MECHANICAL, MOMENTARY, NC/NO WIRELEADS

HOUSING MATERIAL CODE	HOUSING DESCRIPTION
<b>1</b>	STAINLESS STEEL
<b>2</b>	ALUMINUM, INHERENT

HOUSING ADAPTATION	ILLU. TYPE CODE	ILLUMINATION TYPE DESCRIPTION
STAINLESS STEEL & ALUMINUM INHERENT HOUSING	<b>0</b>	NON-ILLUMINATION
	<b>2</b>	RING ILLUMINATION
	<b>3</b>	POWER/STANDBY ILLUMINATION
ALUMINUM INHERENT HOUSING	<b>R</b>	RED BUTTON ONLY FOR NON-ILLUMINATION
	<b>G</b>	GREEN BUTTON ONLY FOR NON-ILLUMINATION
	<b>Y</b>	YELLOW BUTTON ONLY FOR NON-ILLUMINATION
	<b>B</b>	BLUE BUTTON ONLY FOR NON-ILLUMINATION
	<b>D</b>	GOLD BUTTON ONLY FOR NON-ILLUMINATION

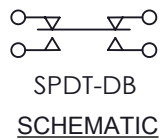
LED COLOR CODE	LED COLOR
<b>N</b>	NONE
<b>G</b>	GREEN
<b>R</b>	RED
<b>B</b>	BLUE
<b>W</b>	WHITE
<b>Y</b>	YELLOW

LED INLET VOLTAGE CODE	LED INLET VOLTAGE	
	NON-WIRELEADS	IF BLANK*
WIRELEADS	IF BLANK*	FOLLOW LED SPECIFICATION
	IF BLANK*	FOLLOW LED SPECIFICATION
	<b>05</b>	5V
	<b>12</b>	12V
	<b>24</b>	24V

ANY CODE	DESCRIPTION
IF BLANK*	NA
XXX	PER CUSTOMER SPECIAL REQUEST

**MECHANICAL CHARACTERISTICS:**

SWITCH CIRCUITRY: SPDT-DB  
 SWITCH ACTION: MOMENTARY (PER CHART)  
 PRE-TRAVEL: 1.27 mm NOMINAL  
 OVER-TRAVEL: 0.254 mm NOMINAL  
 TOTAL TRAVEL: 1.524 mm NOMINAL  
 OPERATING FORCE: 525 g [5.15N] NOMINAL  
 RELEASEING FORCE: 340 g NOMINAL  
 PANEL THICKNESS: 0.5-4.5mm  
 CONTACTS: SILVER  
 NUT TORQUE FORCE: MAX 11.5 kgf\*cm [10 LB\*in]



**ELECTRICAL LIFE:**

5A@28VDC, 5A@125/250VAC, 25K CYCLES NOMINAL

**MECHANICAL LIFE:**

MOMENTRAY: 1,000,000 CYCLES NOMINAL

**ENVIROMENTAL SPECIFICATIONS:**

OPERATING TEMPERATURE: -40° C to +85° C [-40° F to +185° F]  
 IP67 COMPLIANT

**ELECTRICAL SPECIFICATIONS:**

DIELECTRIC STRENGTH: 1,000VAC  
 INSULATION RESISTANCE: 1G OHM  
 CONTACT RESISTANCE:  
 50m /250m OHMS MAX INITIAL(NON-WIRELEAD / WIRELEADS)

**LED SPECIFICATIONS:**

SEE LED SPECIFICATION

**CERTIFICATION: UL 61058**

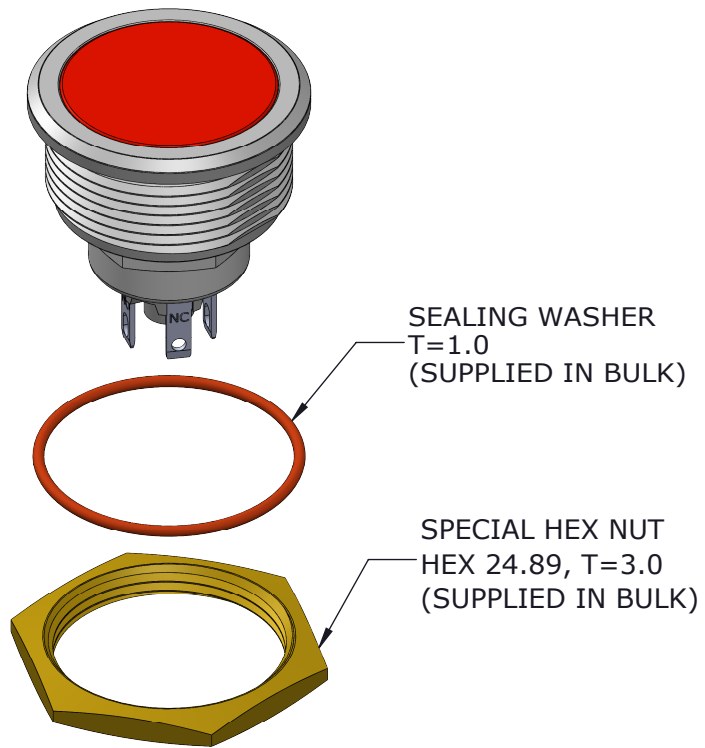
\* NOTE:

1.SUPPLY HEX NUT AND SEALING WASHER BULK IN PACKED

LED SPECIFICATION				
LED CODE	LED Color	CIRCUITRY	Vf(VDC) Color	If (mA)
R	RED		1.8 ~ 2.5	20
B	BLUE		2.8 ~ 3.5	20
G	GREEN		2.8 ~ 3.5	20
Y	YELLOW		1.8 ~ 2.5	20
W	WHITE		2.8 ~ 3.5	20

Notes:  
 Hand Soldering Temperature (4mm above from Body) : 320°C for 3 seconds

WIRELEADS SPECIFICATION					
WIRELEADS TYPE	WIRELEADS SPECIFICATION	SW TERMINAL	SW TERMINAL	LED COLOR	
		NO	NC	+	-
ILLUMINATION	SW :AWG24 / UL1007 LED: AWG26/UL1007	BLUE	YELLOW	RED	BLACK
NON-ILLUMINATION		BLUE	YELLOW	-	-



DWG TYPE SALES DRAWING	DRAWN <i>e.e.</i>	TOLERANCES: UNLESS OTHERWISE NOTED X.X ± 0.5 X.XX ± 0.2 ANGULAR ±1°	DWG TITLE WSA58M- MECHANICAL MOMENTARY, NON/RING ILLUMINATION/POWER- STANDBY LOGO				
STATUS RELEASE	REVIEW --	THIRD ANGLE PROJECTION 	DWG NO. WSA58M-1,A,C,E				
<small>This document is the intellectual property of ITW Electronic Business Asia Co., Limited and may contain confidential, proprietary, privileged information protected by law. Neither this document nor any information it contains can be reproduced, transformed to any other format, or distributed, without written permission by ITW Electronic Business Asia Co., Limited.                  本文件為安達維亞電器有限公司之智慧財產，非經許可不得翻取、複製、轉變成其他形式使用或散佈。</small>		DATE 2017/6/29	REF: ---	<input checked="" type="checkbox"/> 管制文件 <input type="checkbox"/> 非管制文件			
8	7	6	5	4	3	2	1

F

E

D

C

B

A

F

E

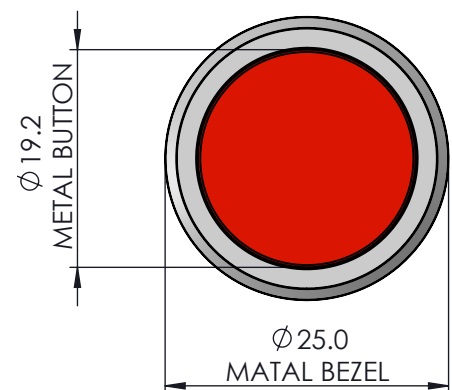
D

C

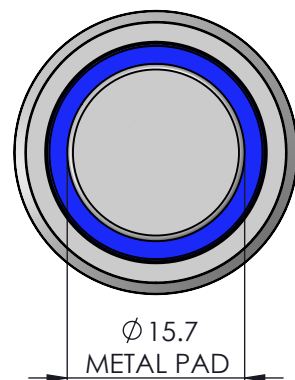
B

A

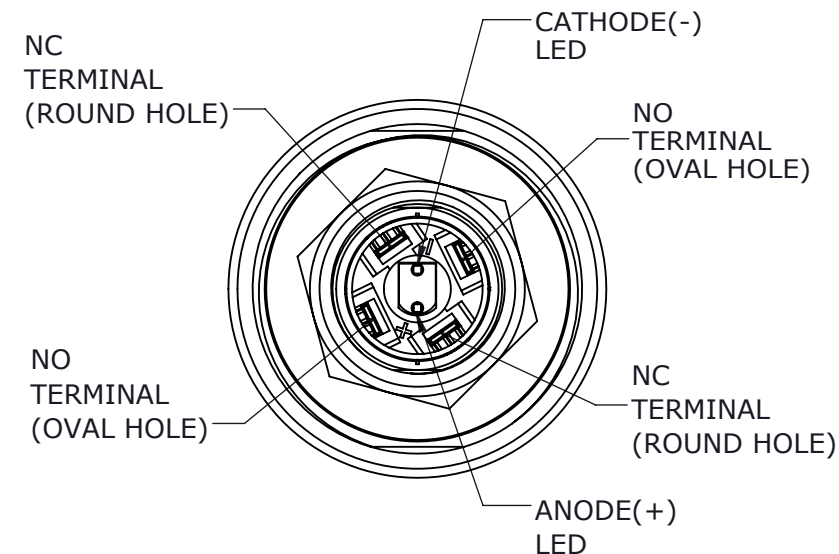
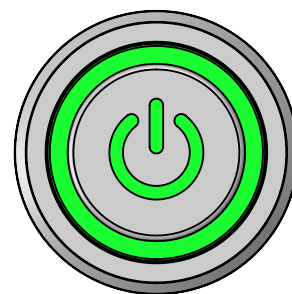
**NON-ILLUMINATION TYPE**



**RING ILLUMINATION**

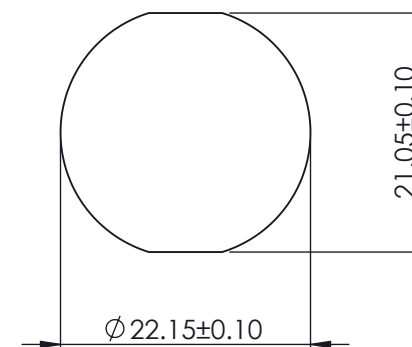
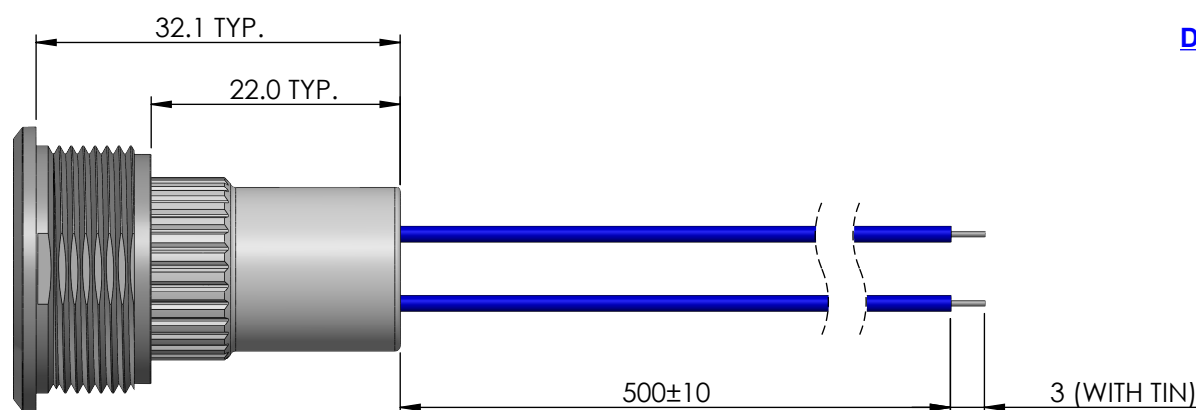
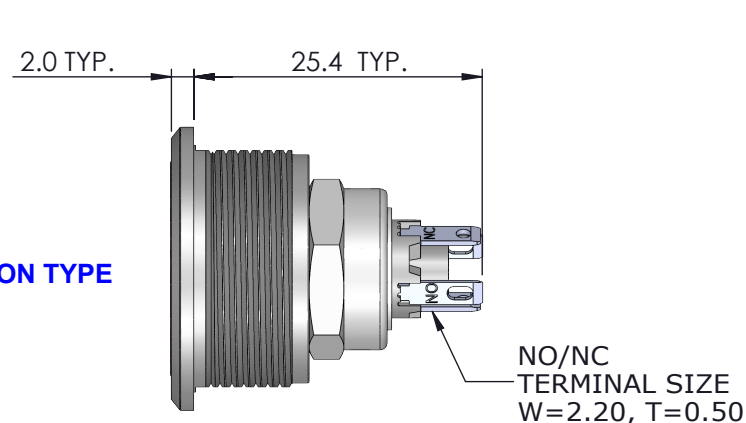


**POWER/STANDBY ILLUMINATION**



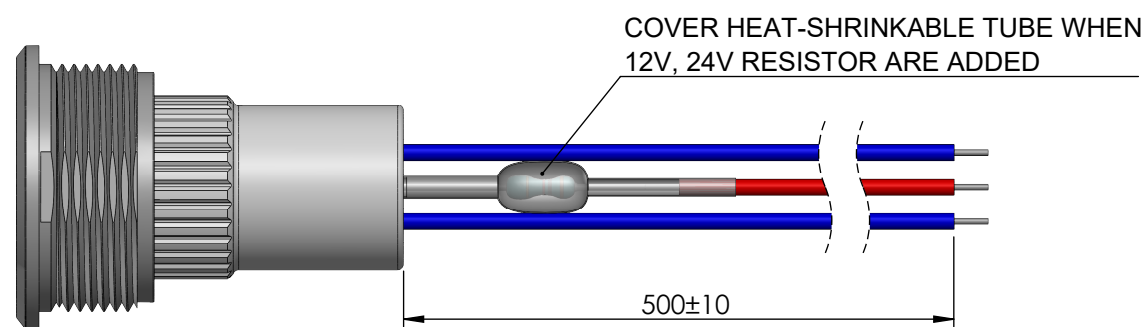
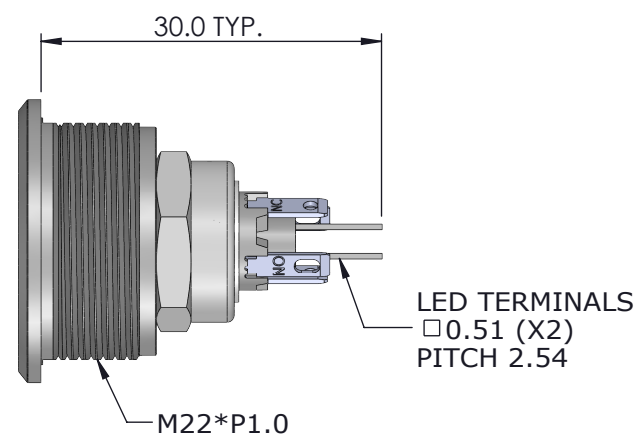
**DETAIL FOR TERMINAL POSITION**

**NON-ILLUMINATION TYPE**



**RECOMMENDED PANEL CUT-OUT**

**ILLUMINATION TYPE**



DWG TYPE SALES DRAWING	DRAWN <i>e.e.</i>	TOLERANCES: UNLESS OTHERWISE NOTED X.X ± 0.5 X.XX ± 0.2 ANGULAR ±1°	DWG TITLE WSA58M- MECHANICAL MOMENTARY, NON/RING ILLUMINATION/POWER- STANDBY LOGO							
STATUS RELEASE	REVIEW --	THIRD ANGLE PROJECTION 	DWG NO. WSA58M-1,A,C,E							
<small>This document is the intellectual property of ITW Electronic Business Asia Co., Limited and may contain confidential, proprietary, privileged information protected by law. Neither this document nor any information it contains can be reproduced, transformed to any other format, or distributed, without written permission by ITW Electronic Business Asia Co., Limited. 本文作為安泰維百電股份有限公司之智慧財產，非經許可不得擷取、複製、轉變成其他形式使用或散佈。</small>			DATE 2017/6/29	REF: ---	<input checked="" type="checkbox"/> 管制文件 <input type="checkbox"/> 非管制文件	Unit mm	SCALE 3 : 2	REV 5	RoHS Compliant	SHEET 2 OF 3

**REVISION RECORD**

REV.	DESCRIPTION	DATE	DRAWN BY	DOCUMENT NO.
1	FOR SALES DRAWING	2014.10.17	A.H.	--
2	RE-ARRANGEMENT DRAWING MODIFY SPECIFICATION	2018.01.22	C.C.	--
3	ADDING UL 61058 CERTIFICATION	2018.06.1	K.Y.	DCN-201800069
4	REDRAWN	2021.05.23	C.C.	DCN-202100075
5	ADD ELECTRICAL LIFE 5A@125/250VAC	2022.08.29	C.C.	DCN-202200068

DWG TYPE SALES DRAWING	DRAWN <i>c.c.</i>	TOLERANCES: UNLESS OTHERWISE NOTED X.X ± 0.5 X.XX ± 0.2 ANGULAR ±1°	DWG TITLE WSA58M- MECHANICAL MOMENTARY, NON/RING ILLUMINATION/POWER- STANDBY LOGO						
STATUS RELEASE	REVIEW --	THIRD ANGLE PROJECTION 	DWG NO. WSA58M-1,A,C,E						
<small>This document is the intellectual property of ITW Electronic Business Asia Co., Limited and may contain confidential, proprietary, privileged information protected by law. Neither this document nor any information it contains can be reproduced, transformed to any other format, or distributed, without written permission by ITW Electronic Business Asia Co., Limited.            本文件為安天德百電股份有限公司之智權財產，非經許可不得翻印、複製、轉變成其他形式使用或散佈。</small>		DATE 2017/6/29	REF: ---	<input checked="" type="checkbox"/> 管制文件 <input type="checkbox"/> 非管制文件		Unit mm	SCALE 3 : 2	REV 5	RoHS Compliant